

Manual de Despiece 
Exclusivo Competición

Parts Book 
Exclusive Competition

TRRS RAGA RACING 

XTRACK

 ELECTRIC START

250-280-300

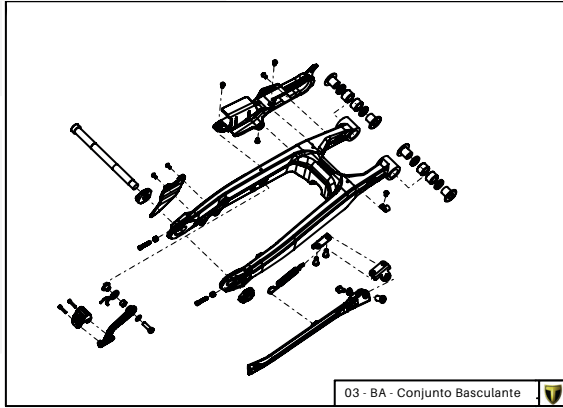
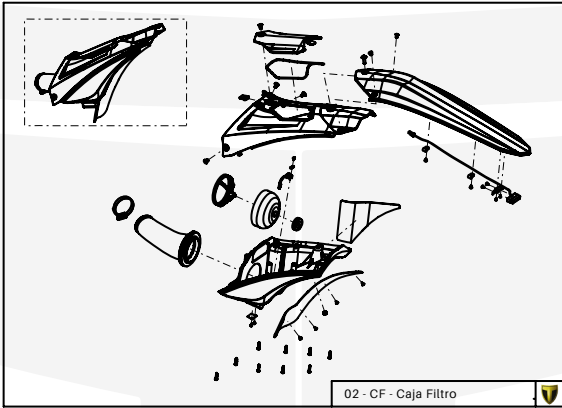
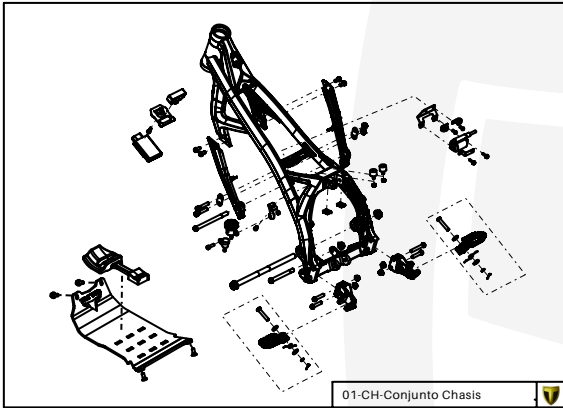
2019



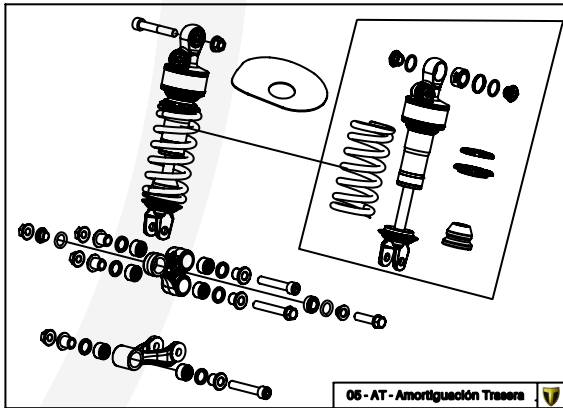
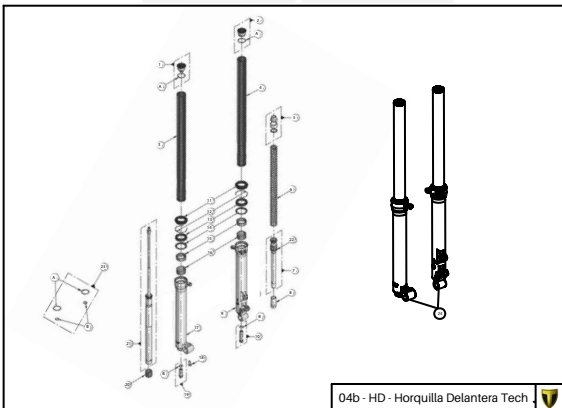
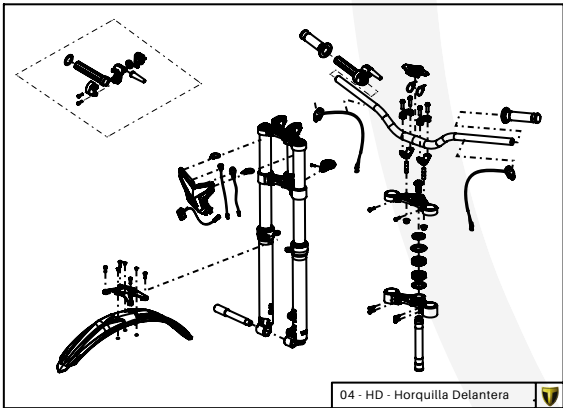
TRRS
MOTORCYCLES

Despiece TRRS XTRACK RR electric start 2019

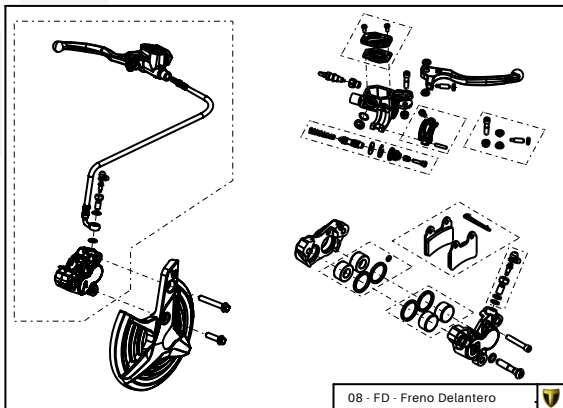
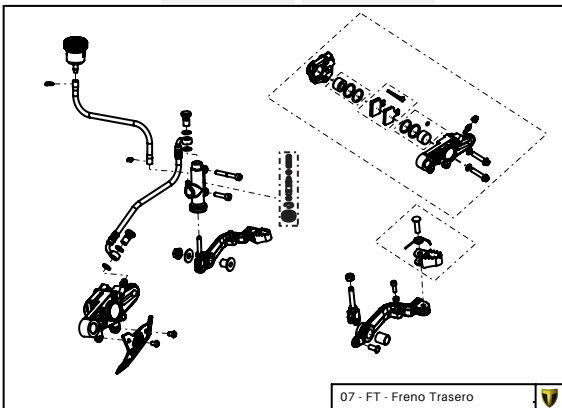
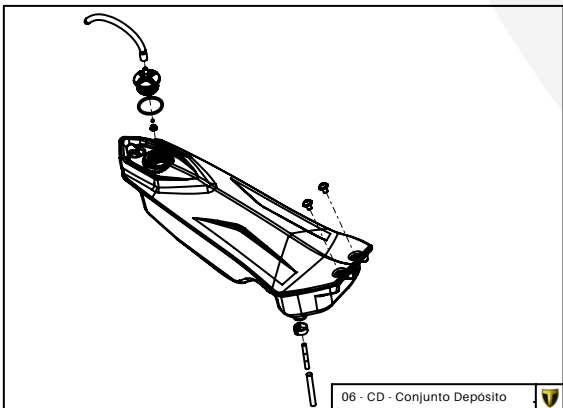
D



C



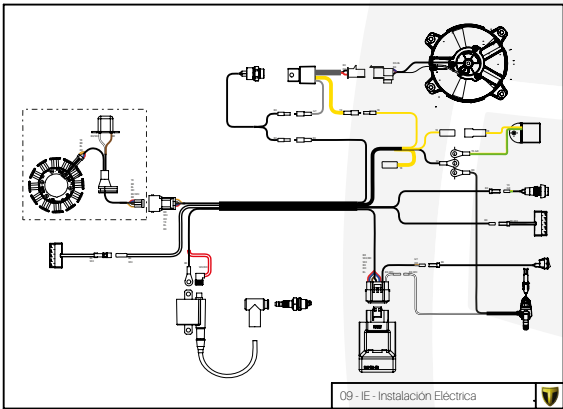
B



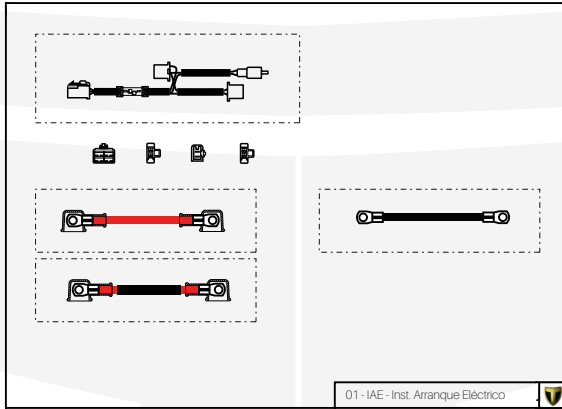
A

Despiece TRRS XTRACK RR electric start 2019

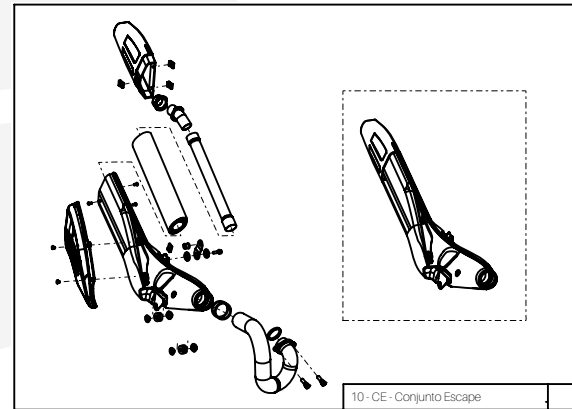
D



09 - IE - Instalación Eléctrica

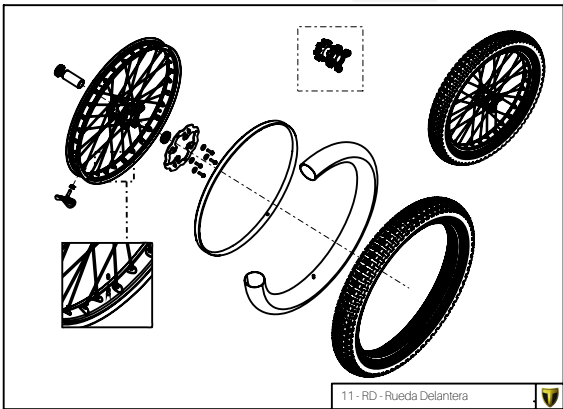


01 - IAE - Inst. Arranque Eléctrico

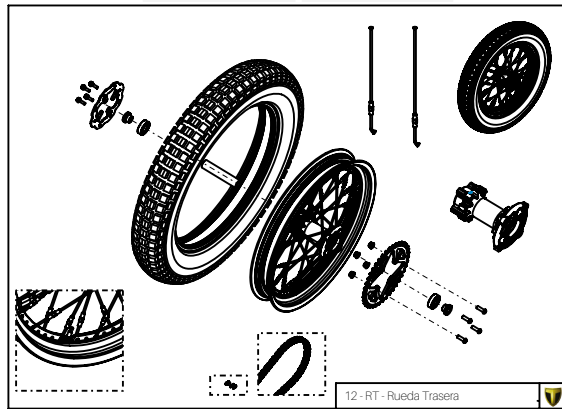


10 - CE - Conjunto Escape

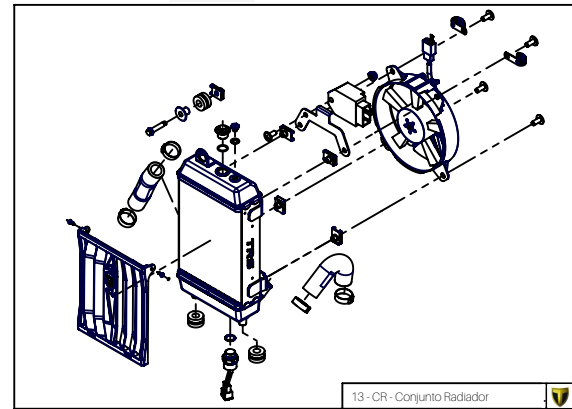
C



11 - RD - Rueda Delantera

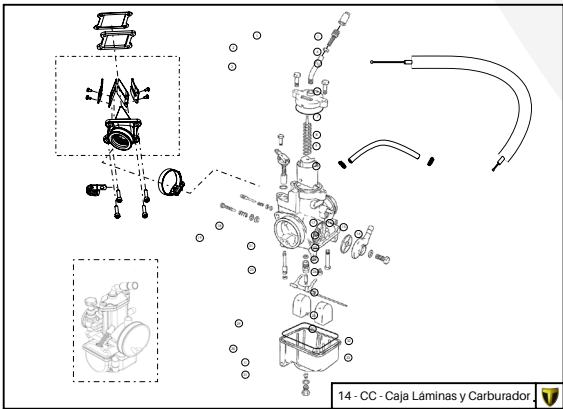


12 - RT - Rueda Trasera

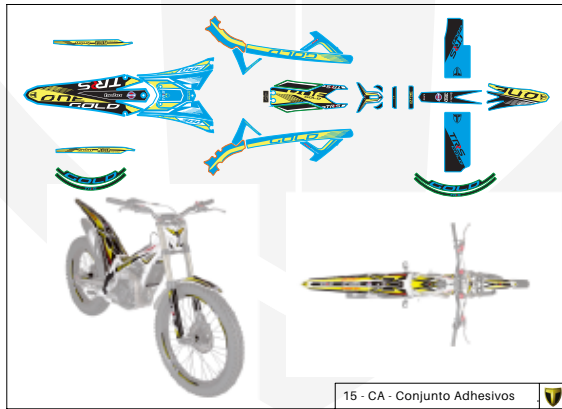


13 - CR - Conjunto Radiador

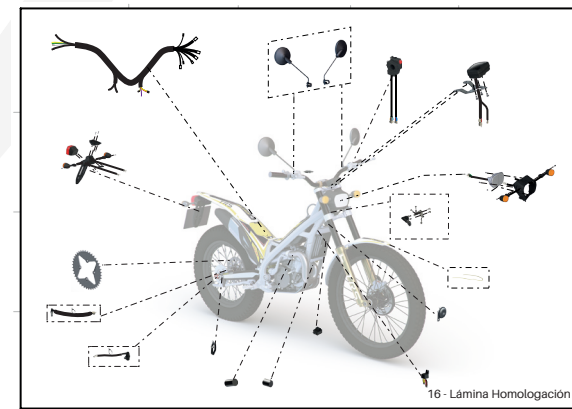
B



14 - CC - Caja Láminas y Carburador



15 - CA - Conjunto Adhesivos

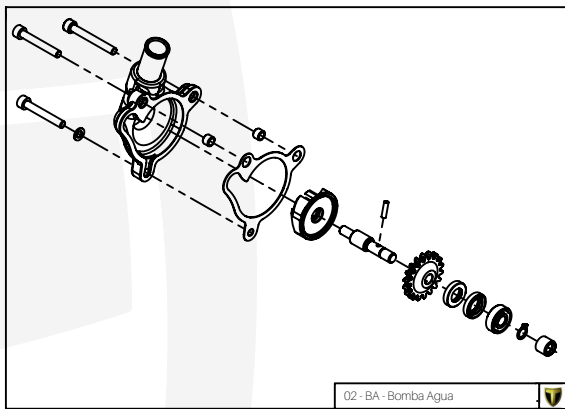
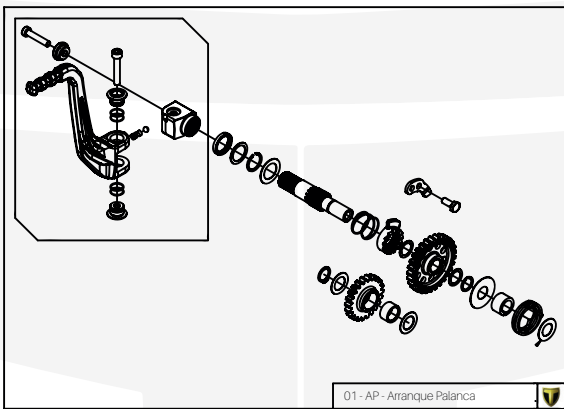
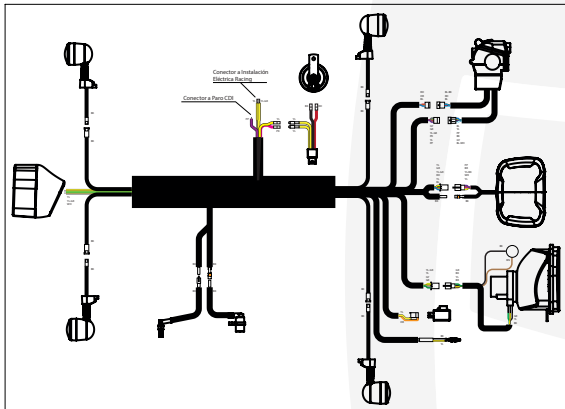


16 - Lámina Homologación

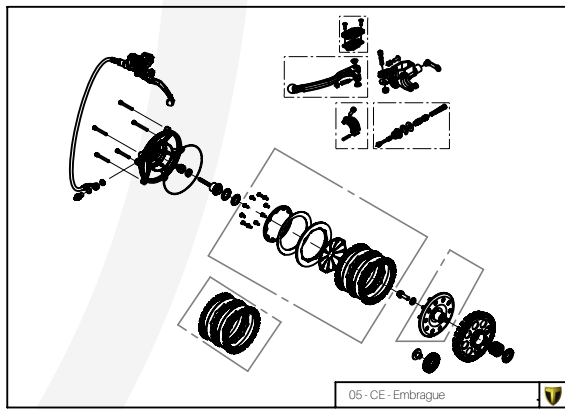
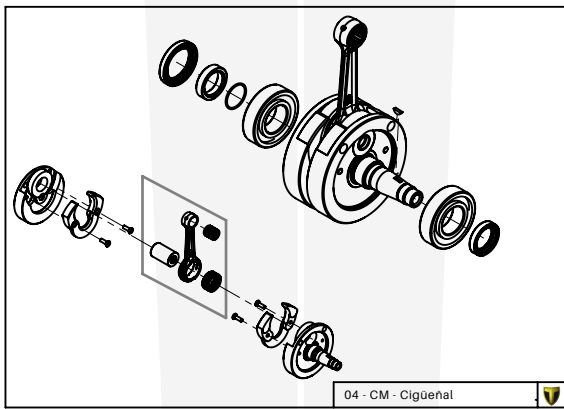
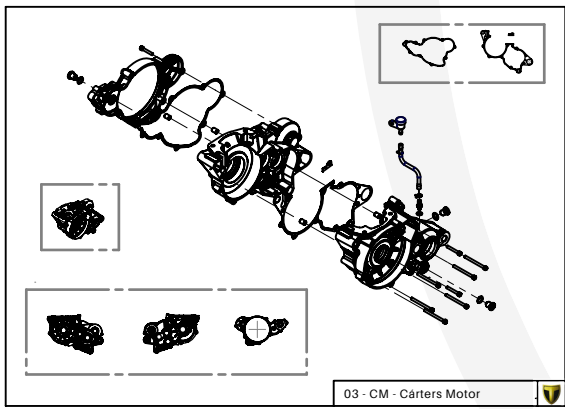
A

Despiece TRRS XTRACK RR electric start 2019

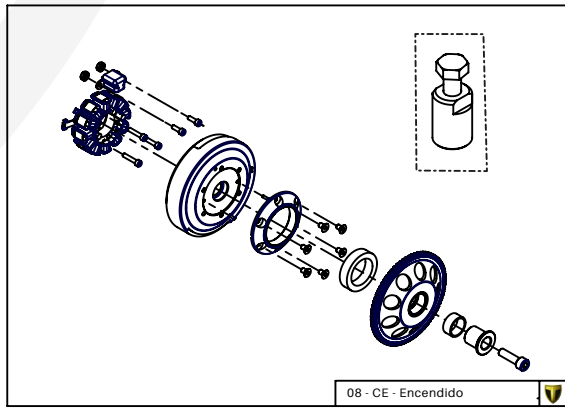
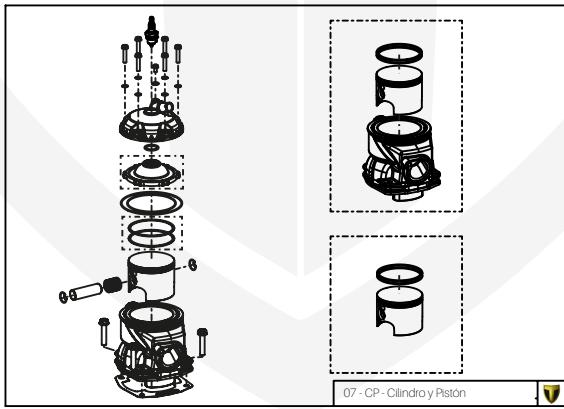
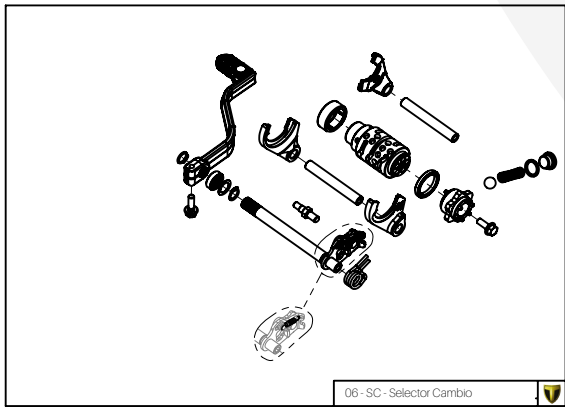
D



C



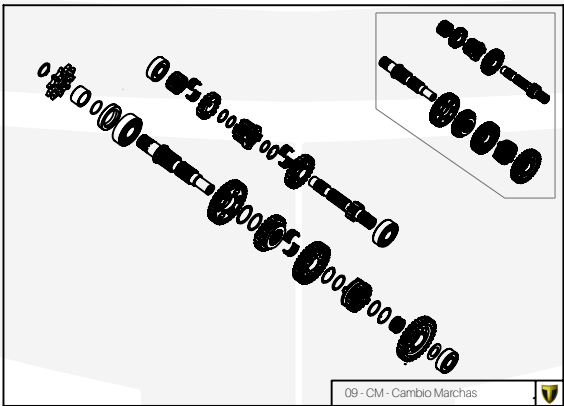
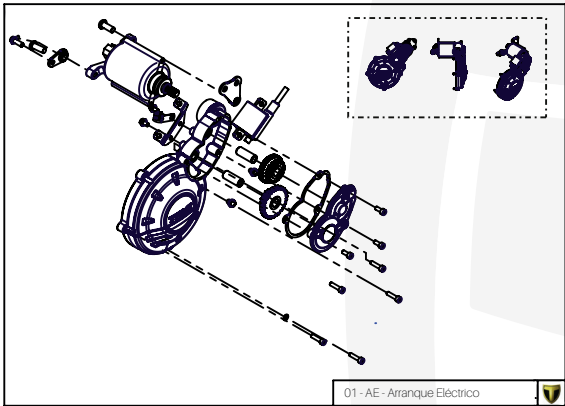
B



A

Despiece TRRS XTRACK RR electric start 2019

D



C

B

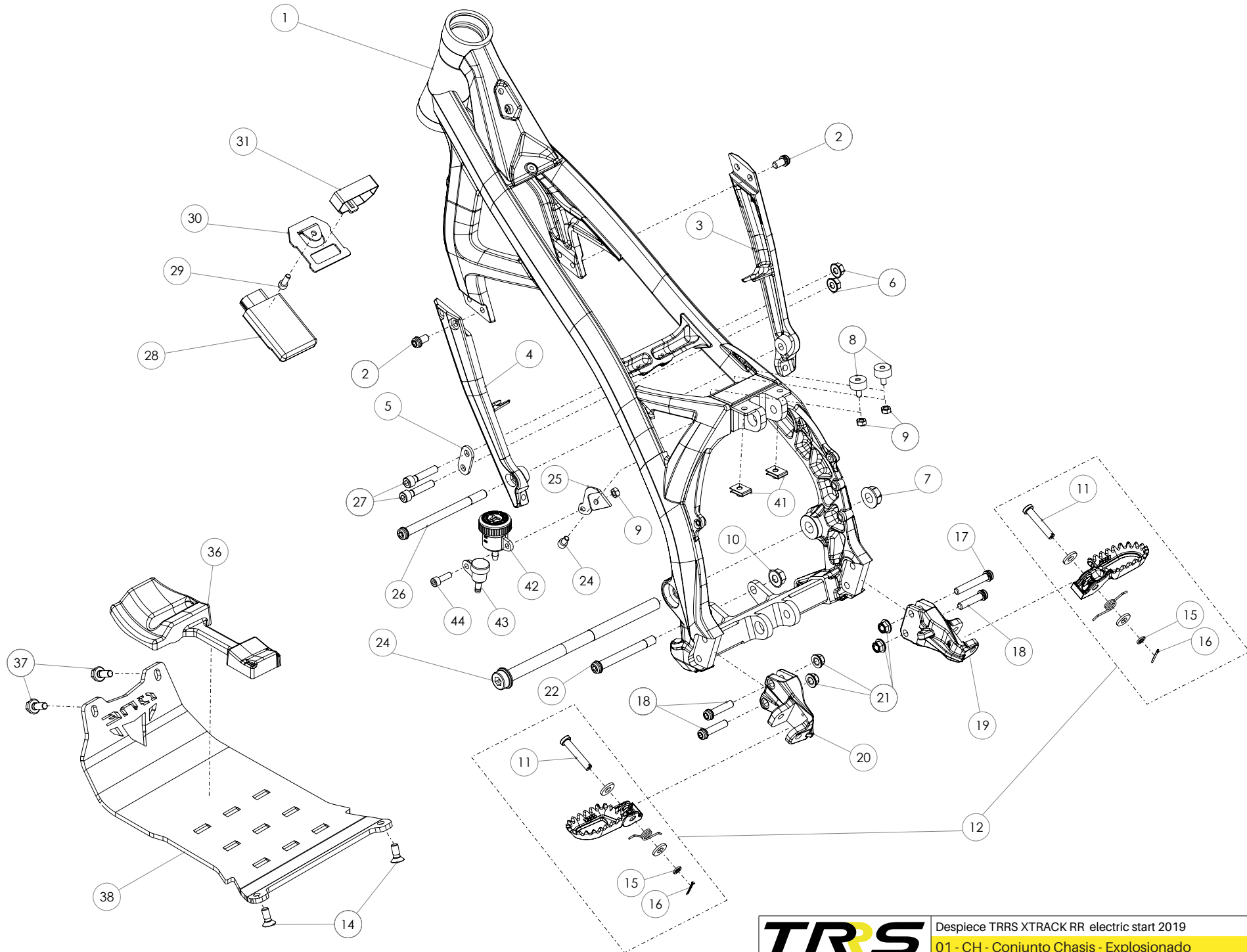
A

D

C

B

A



Despiece TRRS XTRACK RR electric start 2019

01 - CH - Conjunto Chasis - Listado de Piezas

| Nº | Código | Descripción | Description | Cantidad |
|----|-------------------|--|--|----------|
| 01 | 01001TR101 | Conjunto Chasis Pintado Blanco | <i>Chassis Assembly, White Paint</i> | 1 |
| 02 | 50801 | Tornillo Allen DIN 7984 M8X14mm - Brazos Chasis | <i>Allen, DIN7984 8x14mm - Chassis brace</i> | 2 |
| 03 | 01004TR101 | Brazo Derecho Chasis Blanco | <i>White Chassis brace, right</i> | 1 |
| 04 | 01005TR101 | Brazo Izquierdo Chasis Blanco | <i>White Chassis brace. Left</i> | 1 |
| 05 | 01006TR100 | Soporte Motor | <i>Engine brac</i> | 1 |
| 06 | 51502 | Tuerca Autoblocante M8 - Tirantes Motor | <i>Nut. locking type, M8 engine</i> | 2 |
| 07 | 01007TR100 | Tuerca Eje Basculante | <i>Nut, swing-arm shaft</i> | 1 |
| 08 | 63003 | Silentblock M6 20x10 | <i>Silentblock 20x10 M6</i> | 2 |
| 09 | 51501 | Tuerca Autoblocante M6 - Silentblock | <i>Locknut, M6, Silentblock</i> | 3 |
| 10 | 51503 | Tuerca Autoblocante M10x1,25 - Tornillo Inferior Motor | <i>Locknut, M10x1.25 - Lower engine bolt</i> | 1 |
| 11 | 01008TR100 | Eje Pasador Estribo | <i>Footrest pivot shaft</i> | 2 |
| 12 | 70116 | Conjunto Estriberas Aluminio Negras | <i>Footrest set, complete , Black Paint</i> | 1 |
| 14 | 50304 | Tornillo avellanado M8x20 - Placa Carter Inferior | <i>Countersunk screws, M8x20</i> | 2 |
| 15 | 56303 | Arandela M8 - Pasador Estribo | <i>Washer M8, footrest pivot</i> | 2 |
| 16 | 64003 | Pasador aletas 2,5x18 | <i>Cotter pin 2,5x18</i> | 2 |
| 17 | 50803 | Tornillo Allen DIN 7984 M8X55 - Soporte Estribos - Palanca Freno | <i>Allen bolt, DIN 7984 M8x55 - footrest support plate-brake pedal</i> | 1 |
| 18 | 50802 | Tornillo Allen DIN 7984 M8X35 - Soporte Estribos | <i>Allen bolt, DIN 7984 M8x35 - footrest support</i> | 3 |
| 19 | 01010TR101 | Soporte Estribera - Derecha (Blanco) | <i>Support, footrest, right (White)</i> | 1 |
| 20 | 01011TR101 | Soporte Estribera - Izquierda (Blanco) | <i>Support, footrest, left (White)</i> | 1 |
| 21 | 51502 | Tuerca Autoblocante M8 - Soporte Estribos | <i>locknut, M8 - footrest support</i> | 4 |
| 22 | 50105 | Tornillo DIN 912 M10x90x1,25 - Inferior Motor | <i>Bolt, DIN 912 M10x90x1.25 - engine lower</i> | 1 |
| 23 | 01012TR100 | Eje Basculante | <i>Swingarm pivot shaft</i> | 1 |
| 24 | 50101 | Tornillo DIN 912 M6x10 - Soporte Depósito Aceite Freno | <i>Bolt, DIN 912 M6x10 - Support, brake fluid reservoir</i> | 1 |
| 25 | 01013TR101 | Chapa Depósito Freno Trasero | <i>Support, rear brake fluid reservoir</i> | 1 |
| 26 | 50102 | Tornillo DIN 912 M10x130 - Superior Motor | <i>Bolt, DIN 912 M10x130 - Engine upper</i> | 1 |
| 27 | 50901 | Tornillo DIN 6921 M8x40 - Soporte Culata | <i>Bolt, DIN 6921 M8x40 - Cylinder head support</i> | 2 |
| 28 | 70206 | Caja CDI - (véase (07) en la lámina 09-IE-Instalación Eléctrica) | <i>CDI (black box) - (see (07) in 09-EI-Electrical Installation sheet)</i> | 1 |
| 29 | 50104 | Tornillo DIN 912 M6x20 - Soporte Chapa CDI | <i>Bolt, DIN 912 M6x20 - CDI mounting plate</i> | 1 |
| 30 | 01014TR100 | Chapa Soporte CDI | <i>CDI mounting plate</i> | 1 |



Despiece TRRS XTRACK RR electric start 2019

01 - CH - Conjunto Chasis - Listado de Piezas

| Nº | Código | Descripción | Description | Cantidad |
|----|-------------------|---|---|----------|
| 31 | 58012 | Velcro CDI | <i>CDI hook and loop fastening strap</i> | 1 |
| 36 | 01016TR100 | Goma Protector Carter TRS | <i>Engine crankcase rubber protection block</i> | 1 |
| 37 | 50904 | Tornillo DIN 6921 M8x16 - Placa Carter Superior | <i>Bolt, DIN 6921 M8x16 - Engine protector plate, front</i> | 2 |
| 38 | 01031TR100 | Protector Carter estriado ONE | <i>Skid plate ONE</i> | 1 |
| 41 | 51301 | Tuerca Rápida Universal M6 | <i>Universal clip-nut, M6</i> | 2 |
| 42 | 70302 | Depósito Freno Trasero | <i>Reservoir, rear brake</i> | 1 |
| 43 | 01018TR100 | Depósito Desvaporizador | <i>Reservoir, ventilator</i> | 1 |
| 44 | 50909 | Tornillo DIN 6921 M6x20 | <i>Bolt, Allen, M6x20 6921 DIN</i> | 1 |

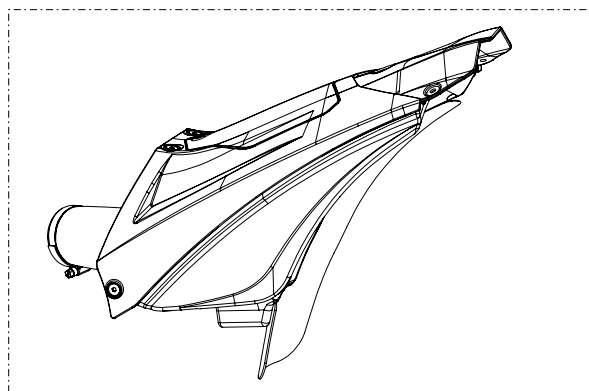


D

C

B

A



29

27

26

13

1

28

1

2

3

5

6

1

14

30

15

12

13

14

17

16

11

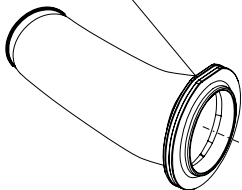
10

8

9

8

7



25



17

16

16

17

17

17

17

17

17

17

17

17

17

17

17

17

17

17

17

17

17

17

17

17

17

17

17

17

17

17

17

17

17

17

17

17

17

17

17

17

17

17

17

17

17

17

17

17

17

17

17

17

17

17

17

17

17

17

17

17

17

17

17

17

17

17

17

17

17

17

17

17

17

17

17

17

17

17

17

17

17

17

17

17

17

17

17

17

17

17

17

17

17

17

17

17

17

17

17

17

17

17

17

17

17

17

17

17

17

17

17

17

17

17

17

17

17

17

17

17

17

17

17

17

17

17

17

17

17

17

17

17

17

17

17

17

17

17

17

17

17

17

17

17

17

17

17

17

17

17

17

17

17

17

17

17

17

17

17

17

17

17

17

17

17

17

17

17

17

17

17

17

17

17

17

17

17

17

17

17

17

17

17

17

17

17

17

17

17

17

17

17

17

17

17

17

17

17

17

17

17

17

17

17

17

17

17

17

17

17



Despiece TRRS XTRACK RR electric start 2019

02 - CF - Caja Filtro - Listado de Piezas

| Nº | Código | Descripción | Description | Cantidad |
|----|------------|---|--|----------|
| 1 | 50302 | Tornillo DIN 7991 M6x14 - Caja Filtro | Bolt, DIN 7991 M6x14 - air filter box | 5 |
| 2 | 02001TR100 | Tapa Superior - Caja Filtro | Top cover - air filter box | 1 |
| 3 | 02002TR100 | Tórica 3mm Tapa - Caja Filtro | Cover o-ring, 3mm - air filter box | 1 |
| 4 | 56301 | Arandela Ø5 | Washer, Ø5 | 4 |
| 5 | 50202 | Tornillo DIN 7380-fl M6x16 - Guardabarros Trasero | Bolt, DIN 7380-fl M6x16 - Rear mudguard (fender) | 1 |
| 6 | 02003TR100 | Guardabarros Trasero | Rear mudguard (fender) | 1 |
| 7 | 70202 | Led Trasero - (véase (03) en la lámina 09-IE-Instalación Eléctrica) | LED light TRS - see number 3, drawing 09 - Electrical | 1 |
| 8 | 50601 | Tornillo Rosca Chapa DIN 7981 2,9x6,5 | Screw, course thread DIN 7981 2.9x6,5 | 6 |
| 9 | 02004TR100 | Chapa Led Trasero | Plate LED lights | 1 |
| 10 | 50703 | Tornillo Ala Ancha 2,9X6,5 | Bolt, broad-head 2,9X6,5 | 2 |
| 11 | 58004 | Grapa Plástico 4.8mm | Plastic clamp 4.8mm | 2 |
| 12 | 02005TR100 | Caja Filtro Superior | Air filter box, top segment | 1 |
| 13 | 02006TR100 | Jaula Espuma - Filtro | Cage, air filter element | 1 |
| 14 | 02007TR100 | Espuma Filtro Aire | Air filter element | 1 |
| 15 | 02008TR100 | Arandela Muelle Filtro | Washer, filter spring | 1 |
| 16 | 02009TR100 | Muelle Fijación Espuma Filtro | Spring, air filter retention | 1 |
| 17 | 02010TR100 | Goma Sujeción Espuma Filtro | Rubber grommet, air filter retention | 1 |
| 18 | 02011TR100 | Protector Anticalórico - Caja Filtro | Heat shield - air filter box | 1 |
| 19 | 02012TR100 | Caja Filtro Inferior | Air filter box, lower segment | 1 |
| 20 | 02018TR100 | Protector - Caja Filtro | Rubber protector, air filter box | 1 |
| 21 | 65004 | Remache aluminio negro Ø4,8x12 | Metalic rivot, Ø4,8x12, black | 4 |
| 22 | 51501 | Tuerca Autoblocante M6 - Caja Filtro | Lock nut, M6 - air filter box | 1 |
| 23 | 50603 | Tornillo Rosca Chapa DIN 7981 3,9x19 Fijación Caja Filtro Inferior | Screw, course thread DIN 7981 3.9x19 Attach air filter box lower | 9 |
| 24 | 02014TR100 | Lámina Desagüe - Caja Filtro | Drain flap, air filter box | 1 |
| 25 | 02016TR100 | Conducto caja filtro | Duct - air filter box | 1 |
| 26 | 02017TR100 | Tobera - Caja Filtro | Intake hose - air filter box | 1 |
| 27 | 58003 | Abrazadera - Norma 40-60 | Clamp - Norma 40-60 | 1 |
| 28 | 51301 | Tuerca Rápida Universal M6 | Universal speed nut M6 | 1 |
| 29 | 02000TR100 | Conjunto Caja Filtro | Complete air filter box assembly | 1 |
| 30 | 50607 | Tornillo Rosca Chapa DIN 7981 4,2x13 | Screw, course thread DIN 7981 4,2x13 | 1 |

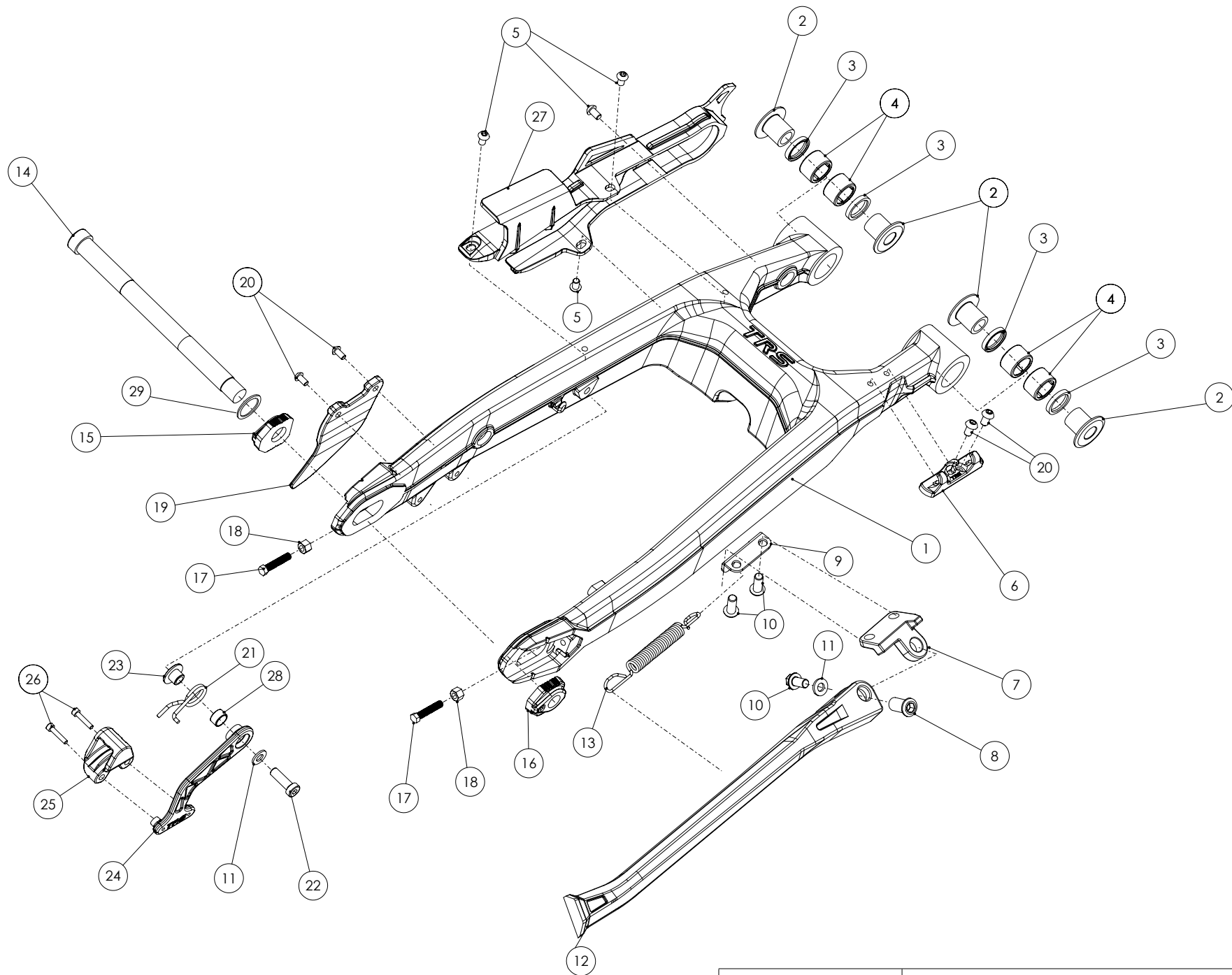


D

C

B

A



Despiece TRRS XTRACK RR electric start 2019
 03 - BA - Basculante - Explosionado
 TRRS Motorcycles



Despiece TRRS XTRACK RR electric start 2019

03 - BA - Basculante - Listado de Piezas

| Nº | Código | Descripción | Description | Cantidad |
|----|------------|--|--|----------|
| 1 | 03001TR100 | Basculante TRS | Swing-arm TRS | 1 |
| 2 | 03002TR100 | Casquillo Eje Basculante | Bushing, swing-arm shaft | 4 |
| 3 | 54001 | Retén Basculante 20x26x4 | Seal, swing-arm 20x26x4 | 4 |
| 4 | 52501 | Rodamiento Basculante NH-2016 | Bearing, swing-arm NH 2016 | 4 |
| 5 | 50203 | Tornillo DIN 7380-fl M6x10 - Guía Cadena | Bolt, DIN 7380-fl M6x10 - Chain guide | 4 |
| 6 | 03017TR100 | Guía Latiguillo Freno Trasero | Guide, brake hose | 1 |
| 7 | 03003TR100 | Soporte Caballete | Side-stand support | 1 |
| 8 | 03004TR100 | Tornillo - Soporte Caballete | Bolt - side-stand support | 1 |
| 9 | 03005TR100 | Chapa Muelle Caballete | side-stand spring plate | 1 |
| 10 | 50201 | Tornillo DIN 7380 M8x20 | Bolt, DIN 7380 M8x20 | 3 |
| 11 | 56303 | Arandela M8 | Washer, M8 | 2 |
| 12 | 03006TR100 | Caballete | Side-stand | 1 |
| 13 | 03007TR100 | Muelle Caballete | Spring, side-stand | 1 |
| 14 | 03008TR100 | Eje Rueda Trasera | Axle, rear wheel | 1 |
| 15 | 03009TR100 | Tensor Eje Rueda Izquierdo | Tensioner, rear axle left side | 1 |
| 16 | 03010TR100 | Tensor Eje Rueda Derecho | Tensioner, rear axle right side | 1 |
| 17 | 50501 | Tornillo DIN 933 M6 - Tensor Eje Rueda | Bolt, DIN 933 M6 - rear wheel tension | 2 |
| 18 | 51103 | Tuerca DIN 6330 M6 - Tensor Eje Rueda | Bolt, DIN 6330 M6 - rear wheel tension | 2 |
| 19 | 03011TR101 | Protector Corona | Sprocket protector | 1 |
| 20 | 50204 | Tornillo DIN 7380 M6x10 - Protector Corona y Guía Latiguillo Freno Tras. | Bolt, DIN 7380 M6x10 - Sprocket protector and Brake hose Guide | 4 |
| 21 | 03012TR100 | Muelle Tensor Cadena | Chain tension spring | 1 |
| 22 | 50804 | Tornillo DIN 7984 M8x25 | Bolt, DIN 7984 M8x25 | 1 |
| 23 | 03013TR100 | Casquillo Tensor Cadena | Bushing, chain tensioner | 1 |
| 24 | 03014TR100 | Tensor Cadena | Chain tensioner | 1 |
| 25 | 70102 | Goma Tensor | Rubber block, chain tensioner | 1 |
| 26 | 50107 | Tornillo DIN 912 M5x20 - Goma Tensor Cadena | Bolt, DIN 912 M5x20 - Chain tension rubber block | 2 |
| 27 | 03015TR100 | Guía Cadena | Chain guide | 1 |
| 28 | 57001 | Glacier - Tensor Cadena | Bushing - Chain tensioner | 1 |
| 29 | 03016TR100 | Arandela Eje Rueda Trasera 22x17x0,5 | Washer, 22x17x0,5 | 1 |

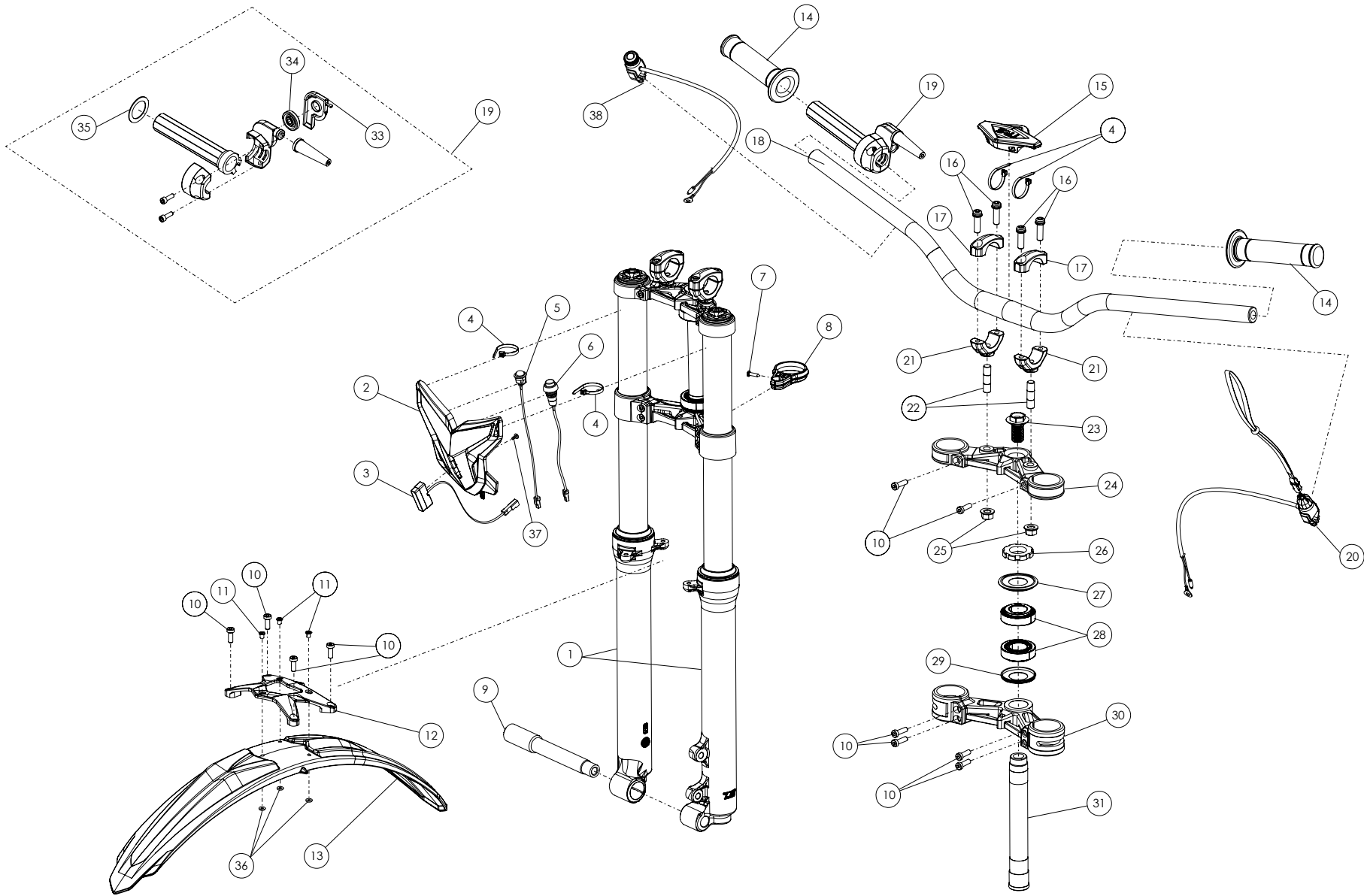


D

C

B

A



Despiece TRRS XTRACK RR electric start 2019

04 - HD - Horquilla Delantera - Listado de Piezas

| Nº | Código | Descripción | Description | Cantidad |
|----|------------|--|---|----------|
| 1 | 04020TR100 | Cjto. horquilla delantera dorada | Front suspension gold-plated, set | 1 |
| 2 | 04001TR100 | Careta Faro Racing | Headlamp shroud | 1 |
| 3 | 70209 | Led Delantero - (véase (10) en la lámina 09-IE-Instalación Eléctrica) | LED lights, TRS - (see item 10 in drawing 09-IE electrical system) | 1 |
| 4 | 58006 | Brida Plástico 3,6x200 | Plastic retention strap | 4 |
| 5 | 70208 | Interruptor Curva CDI - (véase (09) en la lámina 09-IE-Instalación Eléctrica) | Switch, CDI ignition curve - (see item 09 in drawing 09-IE electrical system) | 1 |
| 6 | 70210 | Pulsador Led - (véase (11) en la lámina 09-IE-Instalación Eléctrica) | Switch, LED lights - (see item 11 in drawing 09-IE electrical system) | 1 |
| 7 | 50608 | Tornillo DIN 7981 PHILIPS 3,9x13 Rosca Chapa Brida Guia Cable | Screw, DIN 7981 PHILIPS 3.9x13 Course Thread for cable guide | 1 |
| 8 | 04002TR100 | Brida Guía Latiguillo Freno | Cable guide, brake hose | 1 |
| 9 | 04003TR100 | Eje Rueda Delantera | Axle, front wheel | 1 |
| 10 | 50805 | Tornillo DIN 912 M6x16 | Bolt, DIN 912 M6x16 | 10 |
| 11 | 65004 | Remache 4,8x12mm - Guardabarros - Negro | Black Rivot, 4.8x12mm Mudguard (Fender) | 3 |
| 12 | 04004TR101 | Soporte Guardabarros Delantero - Negro | Black Support, front mudguard (Fender) | 1 |
| 13 | 04005TR100 | Guardabarros Delantero | Front mudguard (Fender) | 1 |
| 14 | 70126 | Puños Hebo | Hand grip, Hebo | 1 |
| 15 | 04006TR100 | Goma Protector Manillar | Rubber handlebar protector | 1 |
| 16 | 50806 | Tornillo Allen DIN 912 M8x25 - Bridas Manillar | Bolt, Allen DIN 912 M8x25 - Handlebar clamps | 4 |
| 17 | 04007TR101 | Brida Superior Manillar Negro | Clamp, handlebar upper | 2 |
| 18 | 70120 | Manillar Neken - TRRS | Handlebar NEKEN - TRRS | 1 |
| 19 | 70105 | Mando Gas | Throttle control | 1 |
| 20 | 70229 | Botón Paro Racing, Hombre al Agua - (véase (20) en lámina 09-IE-Instalación Eléctrica) | Stop button - (see item 20 in drawing 09-IE electrical system) | 1 |
| 21 | 04008TR101 | Brida Inferior Manillar | Clamp, handlebar lower | 2 |
| 22 | 04009TR100 | Eje Brida Manillar | Shaft, handlebar clamp | 2 |
| 23 | 04010TR100 | Tornillo Eje Pipa Dirección | Bolt, steering stem (shaft) | 1 |
| 24 | 04017TR100 | Pletina Superior Suspensión Mecanizada Negra | Suspension triple-tree, upper | 1 |
| 25 | 51503 | Tuerca Autoblocante M10 - Eje Brida Manillar | Nut, self locking M10 - handlebar clamp base | 2 |
| 26 | 04012TR100 | Tuerca Pipa Dirección | Nut, steering stem (shaft) | 1 |
| 27 | 04013TR100 | Guardapolvos Superior | Dust cover, upper | 1 |
| 28 | 52401 | Rodamiento 25-47-15 | Bearing, 25-47-15 | 2 |



Despiece TRRS XTRACK RR electric start 2019

04 - HD - Horquilla Delantera - Listado de Piezas

| Nº | Código | Descripción | Description | Cantidad |
|----|-------------------|--|-----------------------------------|----------|
| 29 | 04014TR100 | Guardapolvos Inferior | Dust cover, lower | 1 |
| 30 | 04018TR100 | Pletina Inferior Suspensión Mecanizada Negra | Suspension triple-tree, lower | 1 |
| 31 | 04016TR100 | Eje Pipa Dirección | Steering stem (shaft) | 1 |
| 32 | 50604 | Tornillo Rosca Chapa DIN 7981 2x4 | Screw, course thread DIN 7981 2x4 | 1 |
| 33 | 70106 | Tapa Mando Gas | Cap, throttle cable wheel | 1 |
| 34 | 70107 | Rodillo Mando Gas | Cable wheel, throttle | 1 |
| 35 | 70108 | Arandela Mando Gas | Washer, throttle grip | 1 |
| 36 | 56301 | Arandela M5 DIN 125 | Washer, M5 DIN 125 | 3 |
| 37 | 50604 | Tornillo Rosca Chapa DIN 7981 2x4 | Screw, course thread DIN 7981 2x4 | 1 |
| 38 | 09007TR100 | Pulsador de arranque con instalacion | Starter button with hardness | 1 |

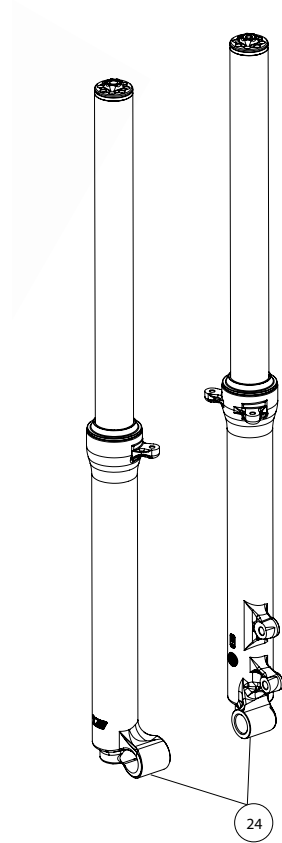
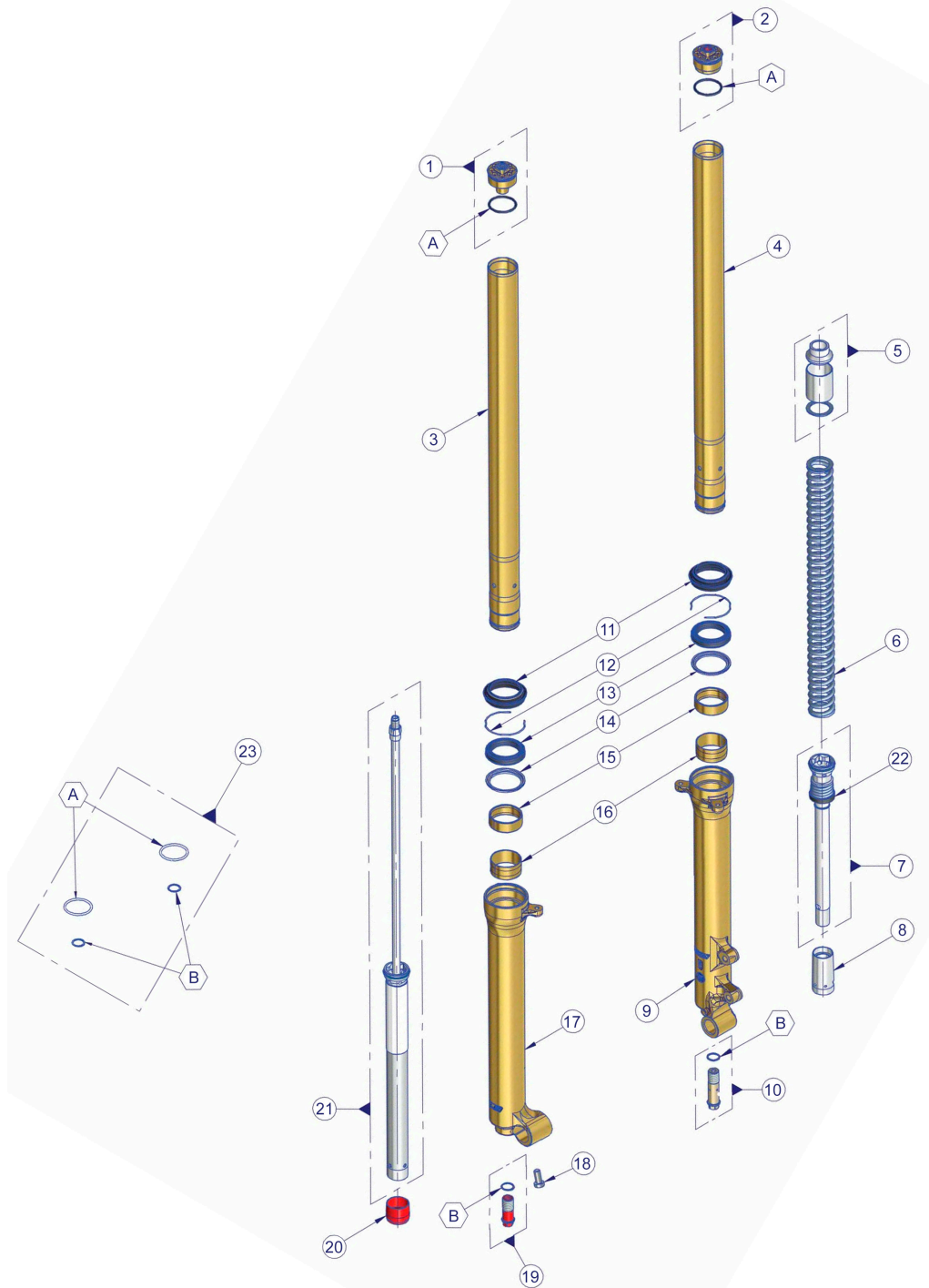


D

C

B

A



Despiece TRRS XTRACK RR electric start 2019

04b - HD - Horquilla Delantera Tech - Listado de Piezas

| Nº | Código | Descripción | Description | Cantidad |
|----|------------|---|-----------------------------------|----------|
| 1 | 71030 | Cjto. tapon regulacion extension | Screw cap rebound set | 1 |
| 2 | 71031 | Cjto. tapon regulacion precarga muelle | Screw cap preload spring set | 1 |
| 3 | 71032 | Barra Suspension Derecha-Group Stanchion Tube Replay Right | Stanchion Tube, Right side | 1 |
| 4 | 71045 | Barra Suspension Izquierda-Group Stanchion Tube Replay Left | Stanchion Tube, Left side | 1 |
| 5 | 71033 | Cto. Distanciadores Muelle-Group Spacers Spring | Group, Spring spacers | 1 |
| 6 | 71034 | Muelle Horquilla-Fork Spring (Progr. 3) | Fork Spring | 1 |
| 7 | 71035 | Cto.Mecanico Bombeo-Group Mechanical Pumping | Group, dampening cartridge | 1 |
| 8 | 71036 | Cono Limitador Izquierdo-Cone Limit Left | Alignment cone, Left | 1 |
| 9 | 71037 | Botella Suspension Izquierda-Left Leg | Lower Leg, left | 1 |
| 10 | 71010 | Cto.Tornillo Regulacion-Needle Regulation Group | Needle and Regulation Group | 1 |
| 11 | 71038 | Guardapolvo Horquilla-Dust Seal | Dust Seal | 2 |
| 12 | 71012 | Circlip Tope Reten-Ring Stopper Oil Seal | Oil Seal retention clip | 2 |
| 13 | 71013 | Reten Horquilla-Oil Seal | Oil Seal | 2 |
| 14 | 71014 | Anillo Tope Glacier-Ring Stop Bushing Oil Seal | Bushing stop ring | 2 |
| 15 | 71015 | Glacier Barra Horquilla-Bush Du Ø39XØ43X15 | Bushing Du Ø39XØ43X15 | 2 |
| 16 | 71016 | Glacier Botella Horquilla-Bush Du Ø38XØ40X20 | Bushing Du Ø38XØ40X20 | 2 |
| 17 | 71039 | Botella Suspension Derecha-Right Leg | Lower leg, Right | 1 |
| 18 | 71018 | Tornillo Allen-Screw Tceib M8X18 Din 7984 | Bolt, Allen M8X18 Din 7984 | 1 |
| 19 | 71040 | Cto. Tornillo Regulacion- Group Lock Screw Hydraulic Pump | Group, Hydraulic dampener end cap | 1 |
| 20 | 71041 | Cono Limitador Derecho-Cone Limit Right | Alignment cone, | 1 |
| 21 | 71042 | Cartucho Hidraulico-Group Cartridge | Group, Cartridge | 1 |
| 22 | 71043 | Anillo Tope Muelle-Support Ring For Spring Limit | Guide Ring, Limit spring | 1 |
| 23 | 71044 | Kit Toricas-Group Rings Seal | O-ring kit | 1 |
| 24 | 04020TR100 | Conjunto horquilla delantera | Front suspension Racing, complete | 1 |



5

4

3

2

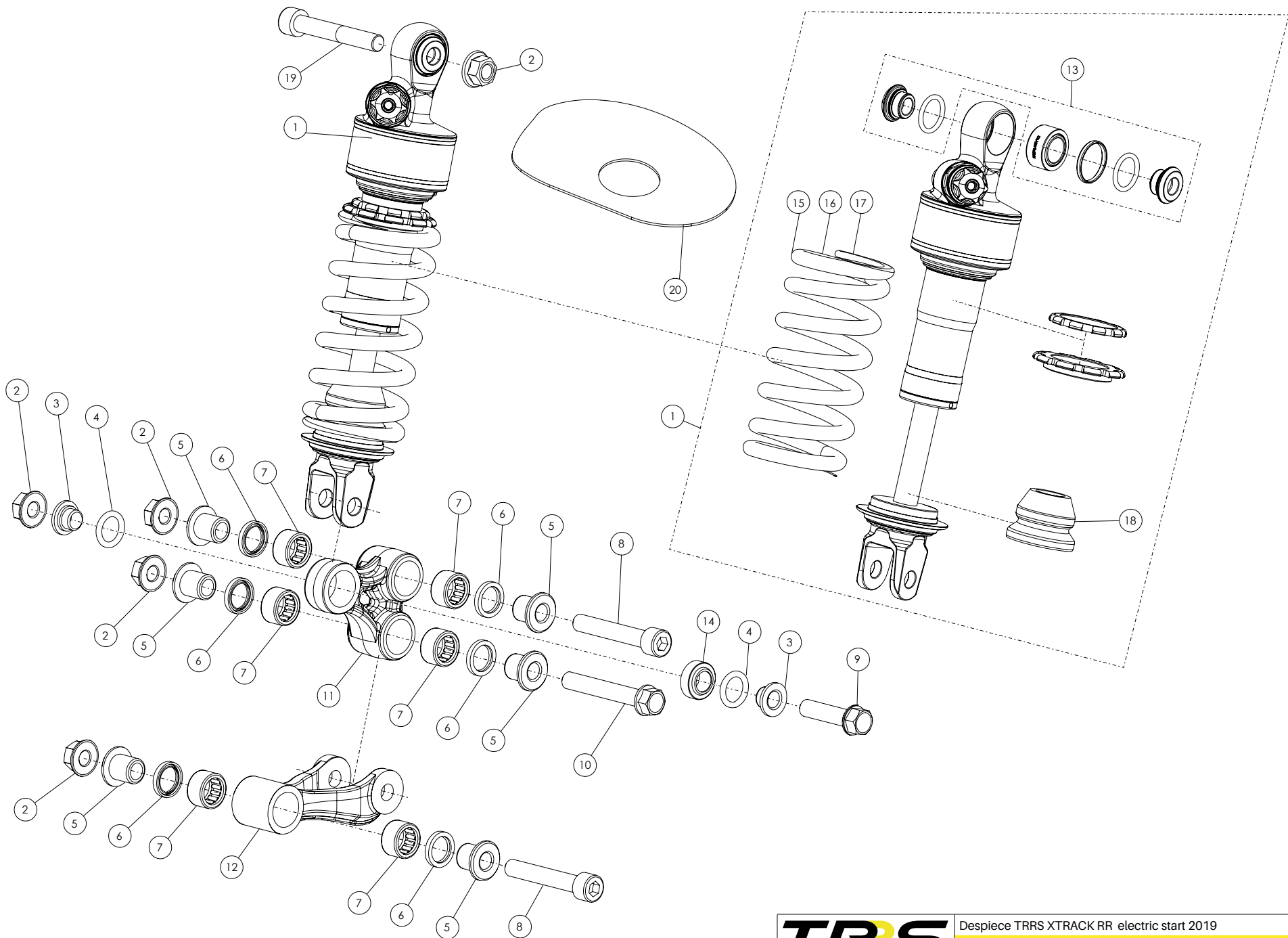
1

D

C

B

A



Despiece TRRS XTRACK RR electric start 2019
 05 - AT - Amortiguación Trasera - Explosionado
 TRRS Motorcycles



Despiece TRRS XTRACK RR electric start 2019

05 - AT - Amortiguación Trasera - Listado de Piezas

| Nº | Código | Descripción | Description | Cantidad |
|----|---------------------|---|---|----------|
| 1 | 05007TR100 | Amortiguador Reiger | <i>Shock absorber Reiger</i> | 1 |
| 2 | 51503 | Tuerca Autoblocante M10x1.25 | <i>Nut, self locking M10x1.25</i> | 5 |
| 3 | 70501 | Casquillo Distanciador Trapecio - Amortiguador | <i>Spacer bushing, linkage - Shock absorber</i> | 2 |
| 4 | 53002 | Tórica Trapecio - Amortiguador | <i>O-ring, linkage - Shock absorber</i> | 2 |
| 5 | 05002TR100 | Casquillo Trapecio | <i>Bushing, linkage</i> | 6 |
| 6 | 54002 | Retén 15x21x3 | <i>Seal, 15x21x3</i> | 6 |
| 7 | 52502 | Rodamiento NH-1512 | <i>Bearing, NH 1512</i> | 6 |
| 8 | 50108 | Tornillo DIN 912 M10x60 - 1,25 - Bieleta Chasis | <i>Bolt, DIN 912 M10x60 - 1.25 - linkage arm to chassis</i> | 2 |
| 9 | 50905 | Tornillo DIN 6921 M10x43 - 1,25 - Trapecio Amortiguador | <i>Bolt, DIN 6921 M10x43 - 1.25 - shock linkage</i> | 1 |
| 10 | 50906 | Tornillo DIN 6921 M10x65 - 1,25 - Trapecio Bieleta | <i>Bolt, DIN 6921 M10x65 - 1.25 - shock linkage</i> | 1 |
| 11 | 05003TR100 | Trapecio TRS | <i>Suspension fulcrum TRS</i> | 1 |
| 12 | 05004TR100_A | Bieleta | <i>Connecting link</i> | 1 |
| 13 | 70514 | Kit Rótula 10x25, Tóricas y Distanciadores | <i>Heim joint 10x25 (rotary ball), O-rings and Spacers Kit</i> | 1 |
| 14 | 66001 | Rótula Trapecio 12x22x12 | <i>Heim joint (rotary ball) 12x22x12 lower shock absorber</i> | 1 |
| 15 | 70511 | Muelle Amortiguador 70Kg | <i>Spring, shock absorber 70 Kg</i> | 1 |
| 16 | 70512 | Muelle Amortiguador 67,5Kg | <i>Spring, shock absorber 67,5 Kg</i> | 1 |
| 17 | 70513 | Muelle Amortiguador 72,5Kg | <i>Spring, shock absorber 72,5 Kg</i> | 1 |
| 18 | 70515 | Tope Silentblock - Amortiguador Reiger | <i>Bump-stop, Reiger shock absorber</i> | 1 |
| 19 | 50109 | Tornillo DIN 912 M10x65 - Amortiguador - Chasis | <i>Bolt, DIN 912 M10x65 - Shock absorber at chassis</i> | 1 |
| 20 | 05005TR100 | Goma Amortiguador - Caja Filtro | <i>Rubber shock absorber sealing flap - air filter box</i> | 1 |

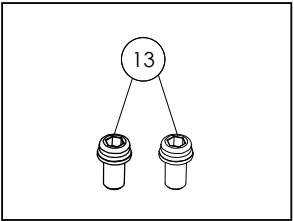
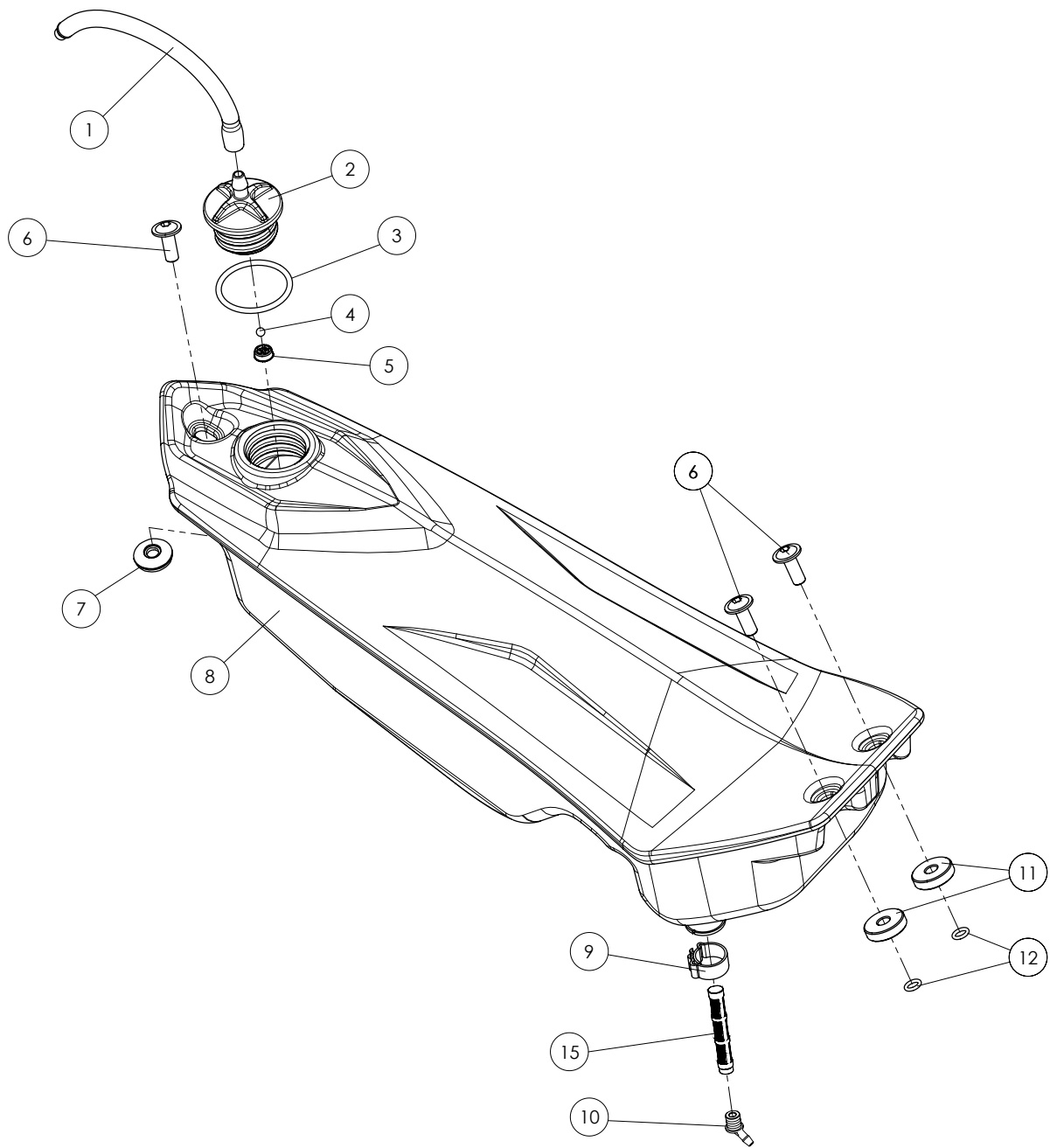


D

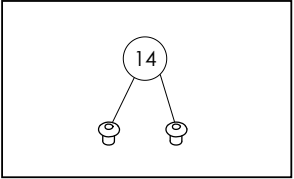
C

B

A



Tornillo Brazos Chasis /
Bolt Frame Brace



Remache Guardabarros trasero /
Plastic Rivot rear mudguard



Despiece TRRS XTRACK RR electric start 2019
06 - CD - Conjunto Depósito - Explodonado
TRRS Motorcycles

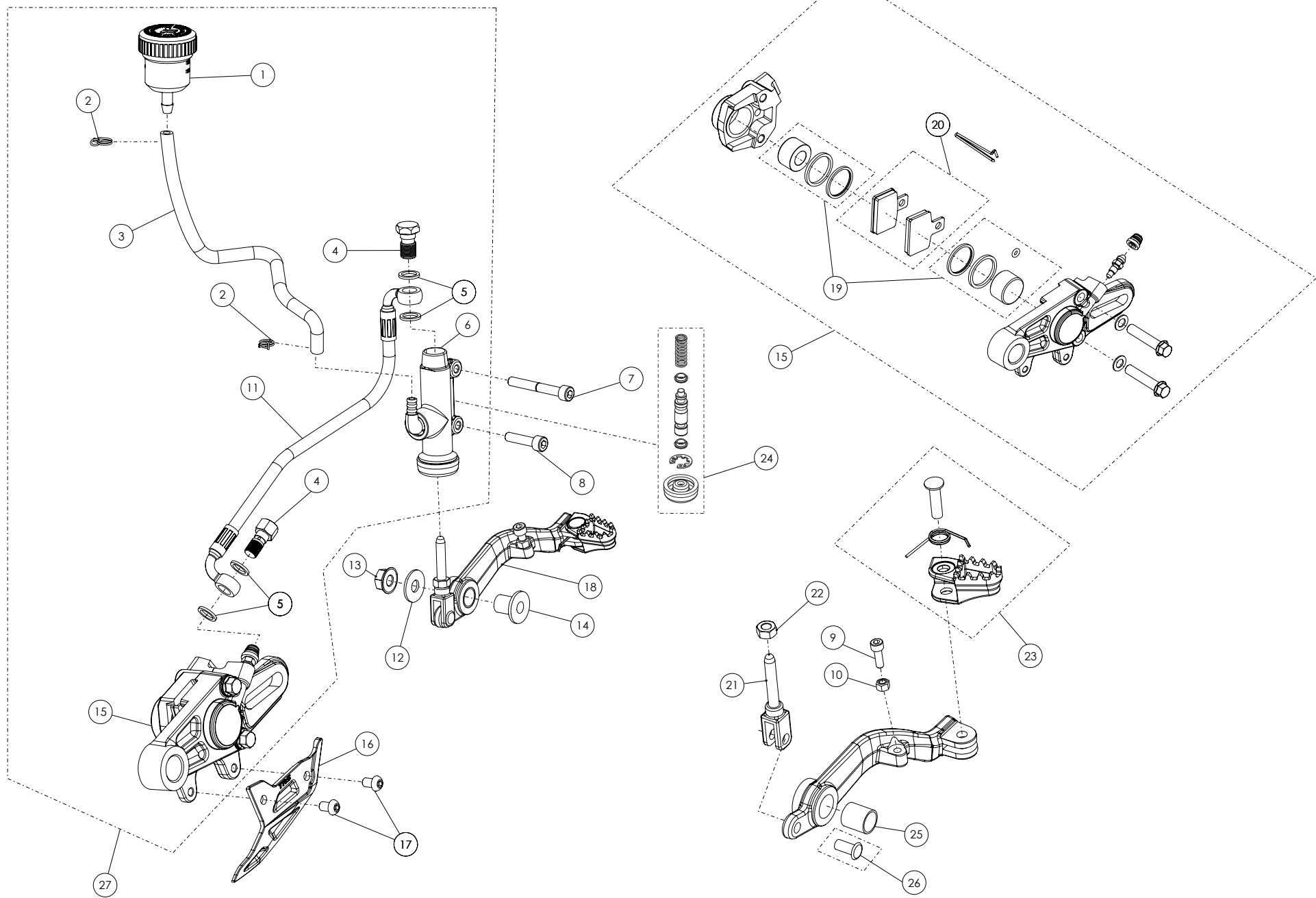


Despiece TRRS XTRACK RR electric start 2019

06 - CD - Conjunto Depósito - Listado de Piezas

| Nº | Código | Descripción | Description | Cantidad |
|----|------------|--|---|----------|
| 1 | 62001 | Tubo Desvaporizador Tapón Gasolina | Fuel cap vent hose | 1 |
| 2 | 06001TR100 | Tapón Depósito | Fuel cap | 1 |
| 3 | 53001 | Tórica Tapón Depósito 29.82x2.62 | O-ring, fuel cap 29.82x2.62 | 1 |
| 4 | 60001 | Bola Válvula Tapón | Check-ball, cap vent | 1 |
| 5 | 06002TR100 | Cierre Válvula Tapón Depósito | Cap, check-ball fuel tank valve | 1 |
| 6 | 50202 | Tornillo M6x16 | Bolt, M6x10 | 3 |
| 7 | 56901 | Arandela Metal - Goma Depósito Gasolina | Washer, rubber-metal, fuel tank | 1 |
| 8 | 06003TR100 | Depósito Gasolina | Fuel tank | 1 |
| 9 | 58007 | Abrazadera Cobra 17 | Clamp, Cobra 17 | 1 |
| 10 | 06004TR100 | Salida deposito gasolina | Output fuel tank | 1 |
| 11 | 17019TR100 | Distanciador 6x20x5 | Spacer 6x20x5 | 2 |
| 12 | 53023 | Torica 5,5x1,5 | O' Ring 5,5x1,5 | 2 |
| 13 | 50801 | Tornillo Allen DIN 7984 M8X35 - Soporte Estribos | Allen bolt, DIN 7984 M8x35 - footrest support | 2 |
| 14 | 65001 | Remache Plástico 6x12 | Plastic rivot 6x12 | 2 |
| 15 | 70128 | Filtro gasolina roscado | Fuel filter threaded | 1 |





Despiece TRRS XTRACK RR electric start 2019

07 - FT - Freno Trasero - Listado de Piezas

| Nº | Código | Descripción | Description | Cantidad |
|----|------------|---|---|----------|
| 1 | 70302 | Depósito Aceite Freno TRS | Brake fluid reservoir TRS | 1 |
| 2 | 58008 | Clip Tubo Freno | Clip, brake hose | 2 |
| 3 | 07009TR100 | Tubo Líquido Freno Trasero | Brake hose, rear | 1 |
| 4 | 70304 | Racord | Banjo bolt | 2 |
| 5 | 56101 | Arandela CU 10x14x1,5 | Washer, CU 10x14x1.5 | 4 |
| 6 | 70305 | Bomba Freno Trasero | Pump, rear brake | 1 |
| 7 | 50103 | Tornillo DIN 912 M6x45 - Bomba Freno - Escape | Bolt, DIN 912 M6x45 - Brake pump - exhaust | 1 |
| 8 | 50110 | Tornillo DIN 912 M6x25 - Bomba Freno Inferior | Bolt, DIN 912 M6x25 - Brake pump - lower | 1 |
| 9 | 50111 | Tornillo DIN 912 M5x15 - Tensor Pedal Freno | Bolt, DIN 912 M5x15 - Brake pedal height adj. | 1 |
| 10 | 51104 | Tuerca DIN 934 M5 Tensor Pedal Freno | Nut, DIN 934 M5 - Brake pedal height adj. | 1 |
| 11 | 70306 | Latiguillo Freno Trasero | Hose, rear brake | 1 |
| 12 | 56304 | Arandela Pedal Freno DIN 9021 M8 | Washer, brake pedal DIN 9021 M8 | 1 |
| 13 | 51502 | Tuerca Autoblocante M8 - Pedal Freno | Nut, self locking M8 - Brake pedal | 1 |
| 14 | 07001TR100 | Casquillo Pedal Freno | Bushing, brake pedal | 1 |
| 15 | 70307 | Conjunto Pinza Freno Trasero | Rear brake caliper, complete | 1 |
| 16 | 07002TR101 | Protector Disco Trasero | Disc protector, rear | 1 |
| 17 | 50204 | Tornillo DIN 7380 M6X10 - Protector Disco Trasero | Bolt, DIN 7380 M6x10 - Rear disc protector | 2 |
| 18 | 07003TR100 | Conjunto Palanca Freno | Brake pedal, complete | 1 |
| 19 | 70309 | Kit Reparación Pinza Trasera | Repair kit, rear caliper | 1 |
| 20 | 70310 | Juego Pastillas Freno Trasero | Brake pad set, rear | 1 |
| 21 | 70311 | Varilla freno conjunto | Push-rod, foot brake lever set | 1 |
| 22 | 51101 | Tuerca DIN 934 M6 - Barilla Freno | Nut | 1 |
| 23 | 70312 | Kit Reparación Puntera Palanca Freno | Repair kit, brake pedal tip | 1 |
| 24 | 70313 | Kit Pistón Bomba Freno | Repair kit, rear brake pump (master cylinder) | 1 |
| 25 | 57003 | Casquillo | Bushing | 1 |
| 26 | 65003 | Remache semitubular 6mm | Compression rivet, 6 | 1 |
| 27 | 70301 | Conjunto freno trasero | Kit, rear brake | 1 |

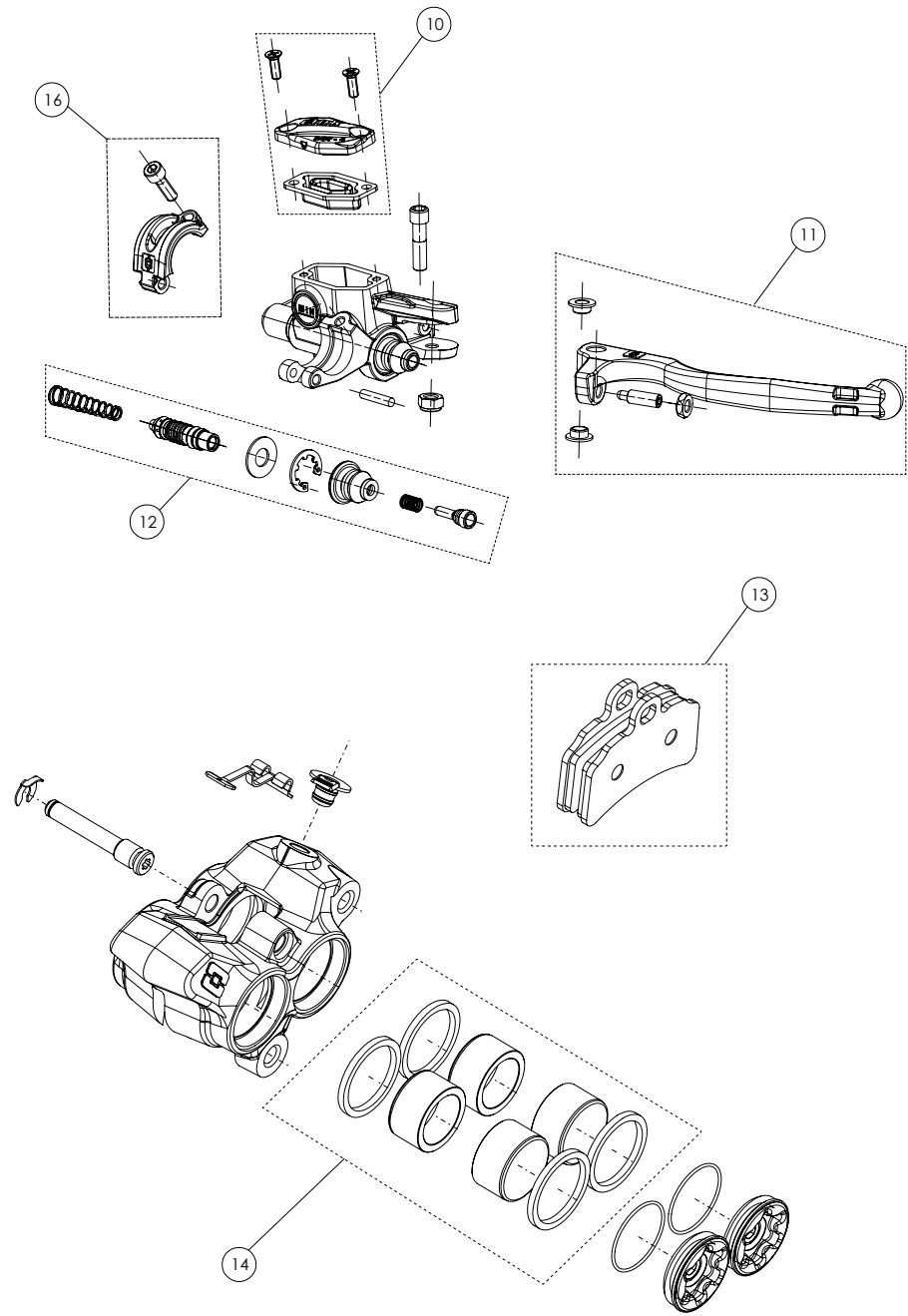
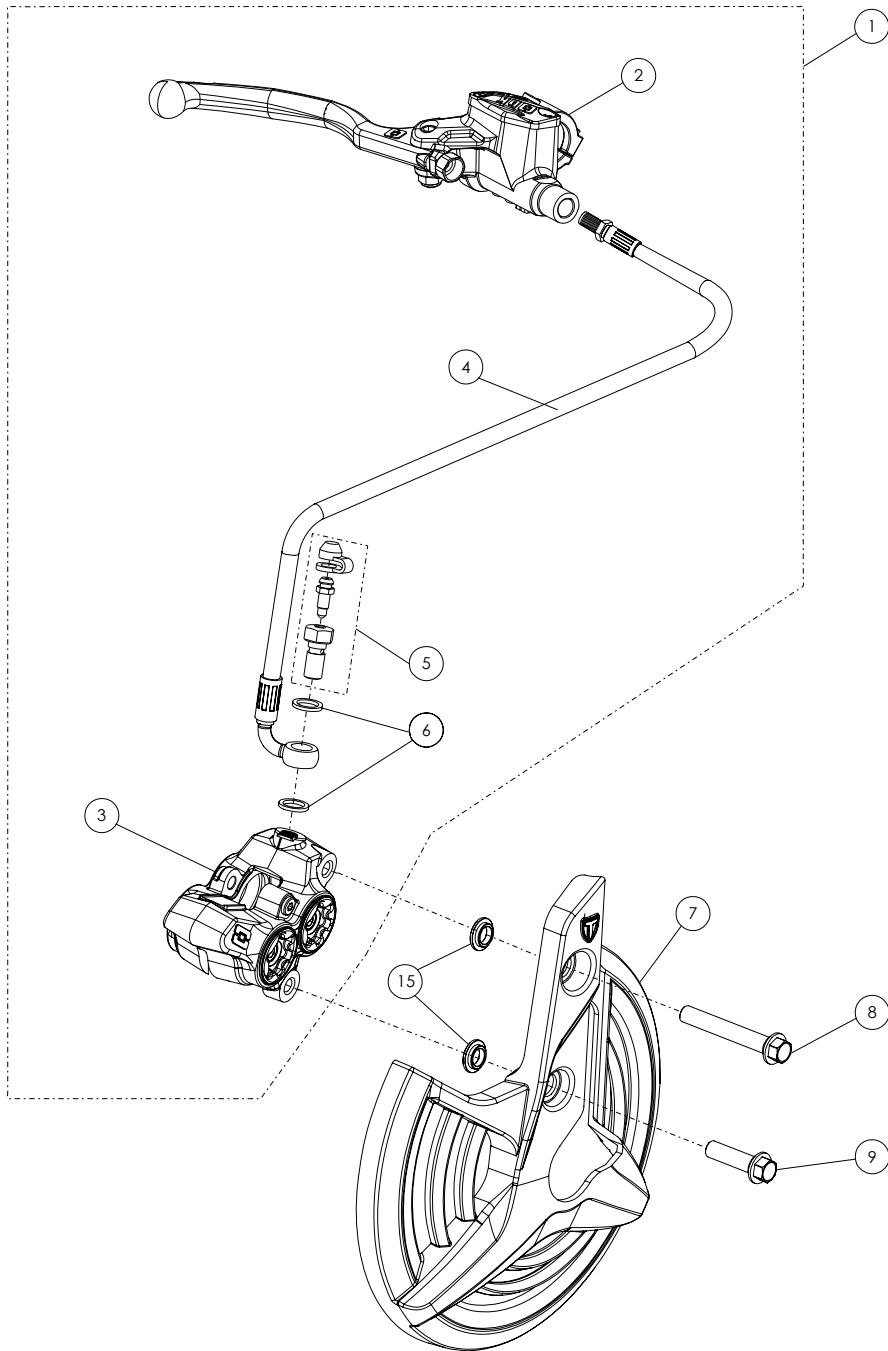


D

C

B

A

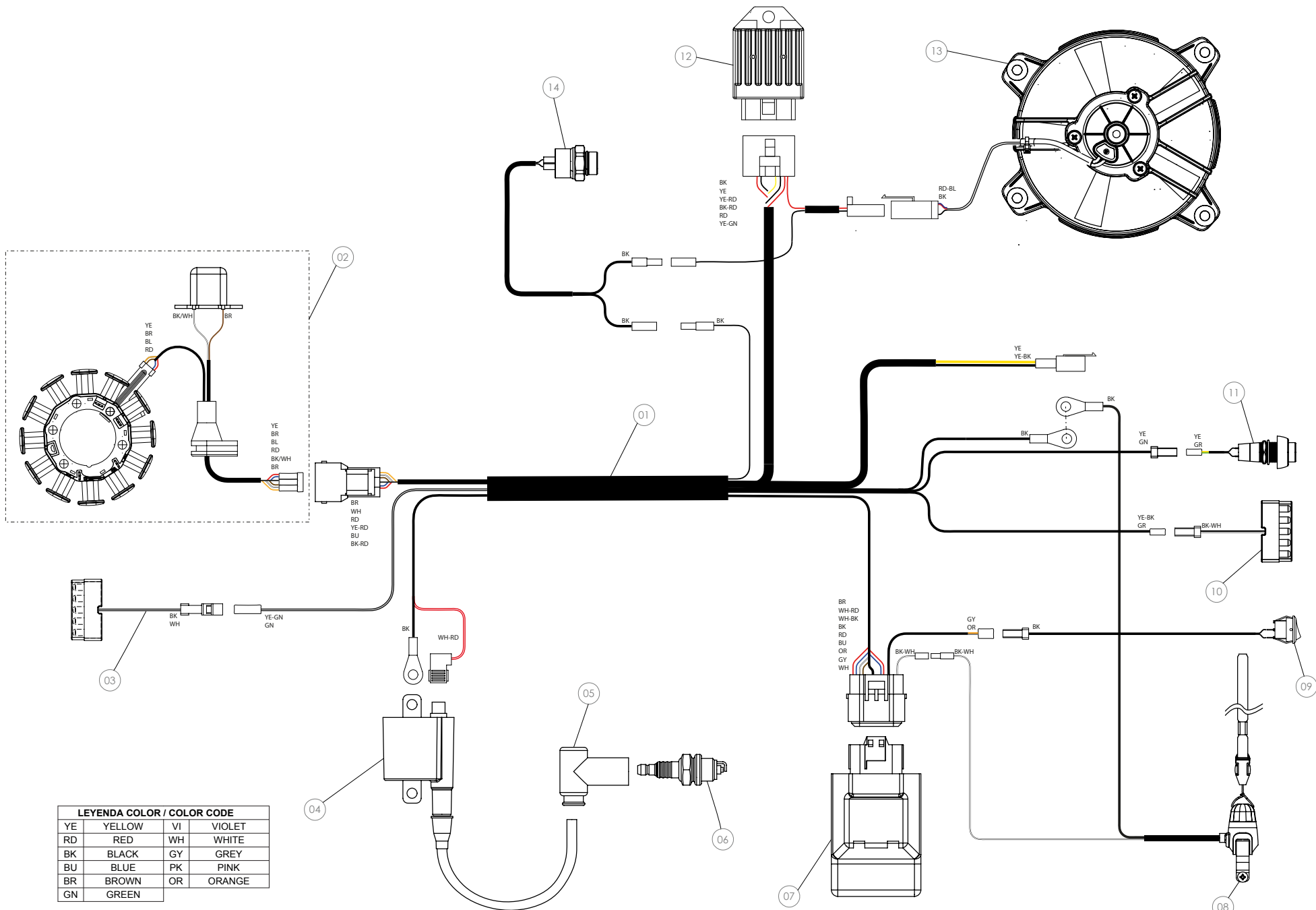


Despiece TRRS XTRACK RR electric start 2019

08 - FD - Freno Delantero - Listado de Piezas

| Nº | Código | Descripción | Description | Cantidad |
|----|-------------------|--|---|----------|
| 1 | 70382 | Conjunto Freno Delantero Racing | <i>Complete front brake assembly Racing</i> | 1 |
| 2 | 70383 | Bomba Freno Delantero Racing | <i>Pump Racing, front brake (master cylinder)</i> | 1 |
| 3 | 70384 | Pinza Freno Delantero Racing | <i>Caliper Racing, front brake</i> | 1 |
| 4 | 70353 | Latiguillo Freno Delantero | <i>Hose, front brake</i> | 1 |
| 5 | 70354 | Racord + Sangrador | <i>Bajo bolt</i> | 1 |
| 6 | 56101 | Arandela CU 10x14x1,5 | <i>Washer, CU 10x14x1.5</i> | 2 |
| 7 | 08001TR101 | Protector Disco | <i>Disc protector, front</i> | 1 |
| 8 | 50901 | Tornillo DIN 6921 M8x40 - Pinza Freno | <i>Bolt, DIN 6921 M8x40 - Brake caliper</i> | 1 |
| 9 | 50907 | Tornillo DIN 6921 M8x30 - Pinza Freno | <i>Bolt, DIN 6921 M8x30 - Brake caliper</i> | 1 |
| 10 | 70369 | Kit Tapa Bomba | <i>Kit, brake pump cap</i> | 1 |
| 11 | 70356 | Maneta Freno Racing | <i>Racing Brake handle (lever)</i> | 1 |
| 12 | 70376 | Kit Reparación Bomba | <i>Kit, pump internal repair</i> | 1 |
| 13 | 70385 | Juego Pastillas Freno Delantero Racing | <i>Brake pad set Racing, front</i> | 1 |
| 14 | 70380 | Kit Reparación Pinza Freno Racing | <i>Kit, rear caliper repair Racing</i> | 1 |
| 15 | 08002TR100 | Casquillo Protector Disco Delantero | <i>Bushing, front disc protector</i> | 2 |





LEYENDA COLOR / COLOR CODE

| | | | |
|----|--------|----|--------|
| YE | YELLOW | VI | VIOLET |
| RD | RED | WH | WHITE |
| BK | BLACK | GY | GREY |
| BU | BLUE | PK | PINK |
| BR | BROWN | OR | ORANGE |
| GN | GREEN | | |



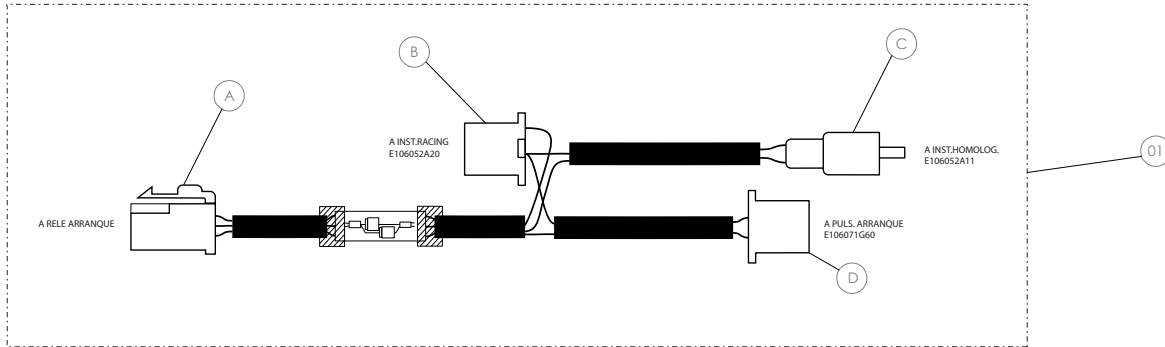
Despiece TRRS XTRACK RR electric start 2019

09 - IE - Instalación Eléctrica - Listado de Piezas

| Nº | Código | Descripción | Description | Cantidad |
|----|-------------------|---|---|----------|
| 1 | 09002TR100 | Instalacion electrica principal | Main wiring harness | 1 |
| 2 | 70225 | Stator + Pick up - (véase en lámina 08 / Motor) | Stator and pickup (see sheet 08 / Engine) | 1 |
| 3 | 70202 | Led trasero - (véase en lámina 02 / Chasis) | Rear LED lamp (see sheet 02/ Frame) | 1 |
| 4 | 70203 | Bobina de alta - (véase en lámina 01 / Chasis) | Ignition coil (see sheet 01 / Frame) | 1 |
| 5 | 70204 | Pipa Bujía | Cap, spark plug | 1 |
| 6 | 70205 | Bujía NGK BPMRGA - (véase en lámina 07 / Motor) | Spark plug NGK BPMRGA (see sheet 07 / Engine) | 1 |
| 7 | 70238 | Caja CDI - (véase en lámina 01 / Chasis) | CDI box (see sheet 01/ Frame) | 1 |
| 8 | 70229 | Botón paro racing, Hombre al agua - (véase en lámina 04 / Chasis) | Kill button engine with magnetic lanyard (see sheet 04 / Frame) | 1 |
| 9 | 70208 | Interruptor curva CDI - (véase en lámina 04 / Chasis) | Igniton map switch (see sheet 04 / Frame) | 1 |
| 10 | 70209 | Led delantero - (véase en lámina 04 / Chasis) | Front led lamp (see sheet 04 / Frame) | 1 |
| 11 | 70210 | Pulsador led - (véase en lámina 04 / Chasis) | Switch, led lamps (see sheet 04 / Frame) | 1 |
| 12 | 70239 | Regulador ventilador (véase en lámina 13 / Chasis) | Regulator fan (see sheet 13 / Frame) | 1 |
| 13 | 70234 | Ventilador - (véase en lámina 13 / Chasis) | Fan (see sheet 13 / Frame) | 1 |
| 14 | 70214 | Termocontacto - (véase en lámina 13 / Chasis) | Water temperature sensor (see sheet 13 / Frame) | 1 |



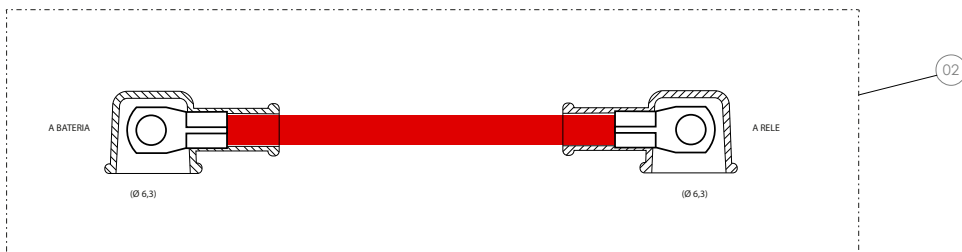
D



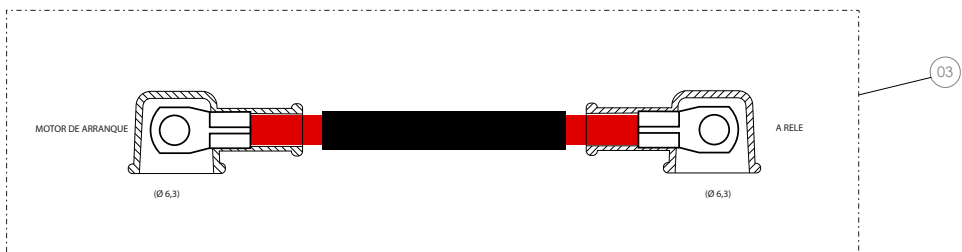
C



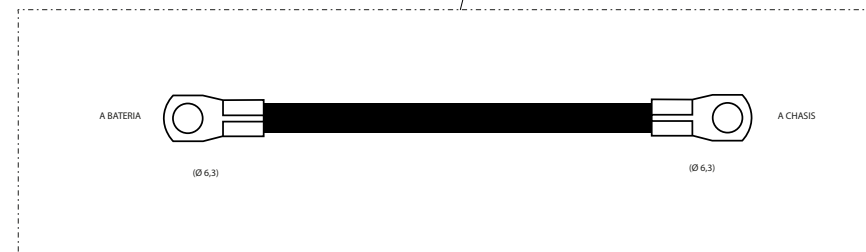
B



A



04



Despiece TRRS XTRACK RR electric start 2019

09b - IA- Inst. Arranque Eléctrico - Listado de Piezas

| Nº | Código | Descripción | Description | Cantidad |
|----|------------|------------------------------------|-----------------------------------|----------|
| 1 | 09003TR100 | Instalacion arranque electrico | Wiring harness electric starter | 1 |
| 2 | 09004TR100 | Cable positivo bateria/rele | Battery/starter relay cable | 1 |
| 3 | 09005TR100 | Cable positivo rele/motor arranque | Starter relay/starter motor cable | 1 |
| 4 | 09006TR100 | Cable negativo bateria/chasis | Ground cable battery/frame | 1 |

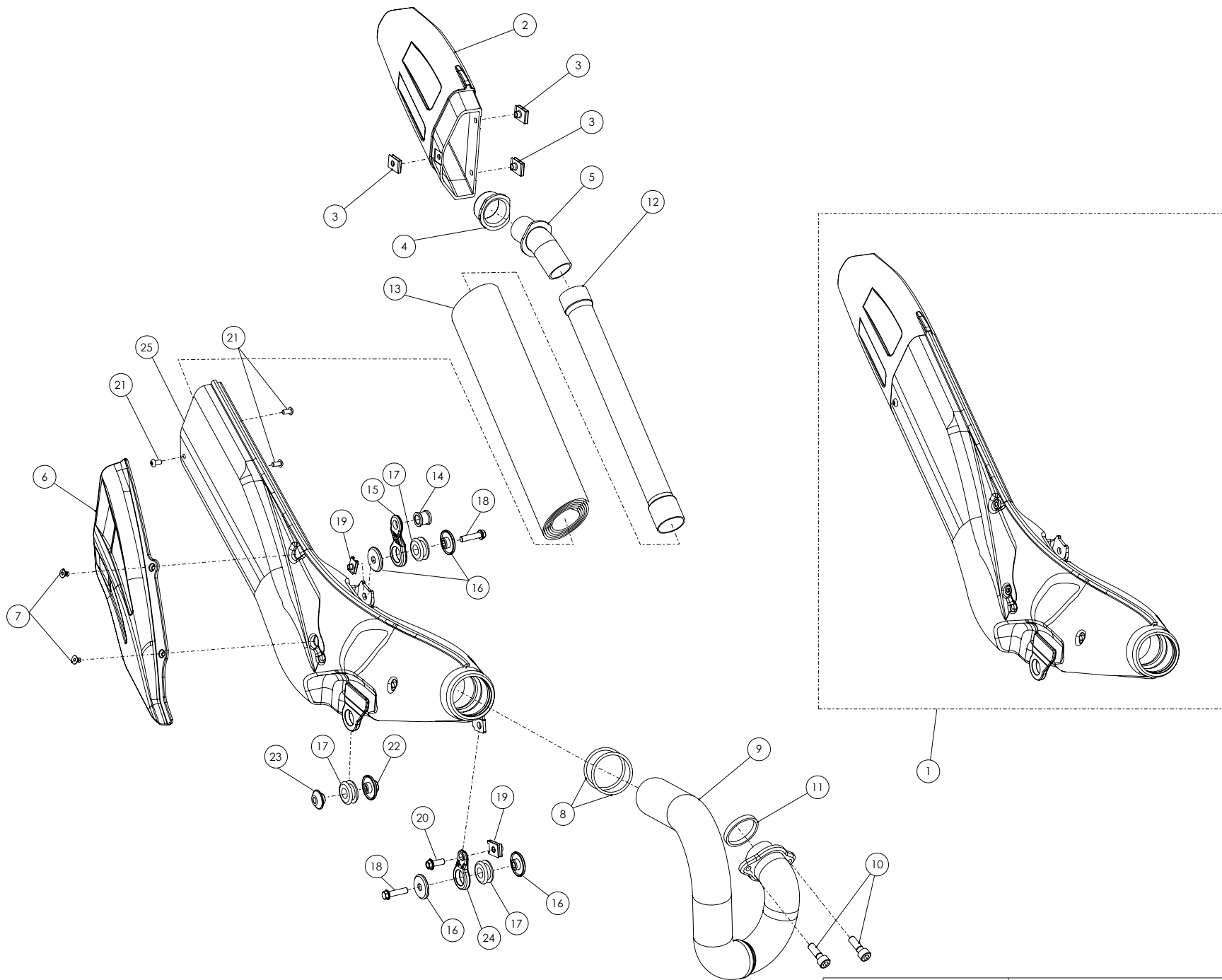


D

C

B

A



Despiece TRRS XTRACK RR electric start 2019

.10 - CE - Conjunto Escape - Listado de Piezas

| Nº | Código | Descripción | Description | Cantidad |
|----|------------|---|---|----------|
| 1 | 10025TR100 | Conjunto escape arranque electrico | Exhaust set electric starter | 1 |
| 2 | 10002TR100 | Salida Plástico Silenciador | End-cap, silencer (plastic) | 1 |
| 3 | 51302 | Tuerca Rápida Universal M5 | Speed nut, universal M5 | 3 |
| 4 | 10003TR100 | Goma Cierre Silencioso | Rubber grommet, silencer end-cap | 1 |
| 5 | 70601 | Tubo Salida Silencioso | Silencer exit tube | 1 |
| 6 | 10004TR100 | Protector Escape | Exhaust protector (heat shield) | 1 |
| 7 | 50303 | Tornillo DIN 7991 M5x8 - Protector Escape | Bolt, DIN 7991 M5x8 - Exhaust protector | 2 |
| 8 | 53004 | Tórica 44x3 | O-ring, 44x3 | 2 |
| 9 | 10005TR100 | Curva Escape Titanio | Exhaust pipe, titanium | 1 |
| 10 | 50807 | Tornillo DIN 912 M8x20 | Bolt, DIN 912 M8x20 | 2 |
| 11 | 10006TR100 | Junta Metálica Curva Escape | Metal gasket, exhaust pipe | 1 |
| 12 | 70602 | Tubo Interno Silencioso | Silencer internal tube | 1 |
| 13 | 70603 | Fibra Silencioso | Silencer fiber packing | 1 |
| 14 | 10007TR100 | Casquillo Soporte Escape Superior | Bushing, exhaust support, upper | 1 |
| 15 | 10016TR100 | Soporte superior escape | Upper exhaust support | 1 |
| 16 | 10022TR100 | Casquillo soporte escape | Buhsing exhaust support | 4 |
| 17 | 10019TR100 | Goma soporte | Damper rubber | 3 |
| 18 | 50908 | TornilloDIN 6921 M6x25 | Bolt, DIN 6921 M6x25 | 1 |
| 19 | 51301 | Tuerca Rápida Universal M6 | Speed-nut, Universal M6 | 2 |
| 20 | 50903 | Tornillo DIN 6921 M6x16 - Bobina | Bolt, DIN 6921 M6x16, Coil mount | 1 |
| 21 | 50206 | Tornillo DIN 7380 M5x10 | Bolt, DIN 7380 M5x10 | 3 |
| 22 | 10020TR100 | Tuerca soporte inferior escape | Nut lower exhaust support | 1 |
| 23 | 10021TR100 | Casquillo soporte inferior escape | Bushing lower exhasut support | 1 |
| 24 | 10015TR100 | Soporte delantero escape | Front exhaust support | 1 |
| 25 | 10017TR100 | Silencioso | Silencer | 1 |



5

4

3

2

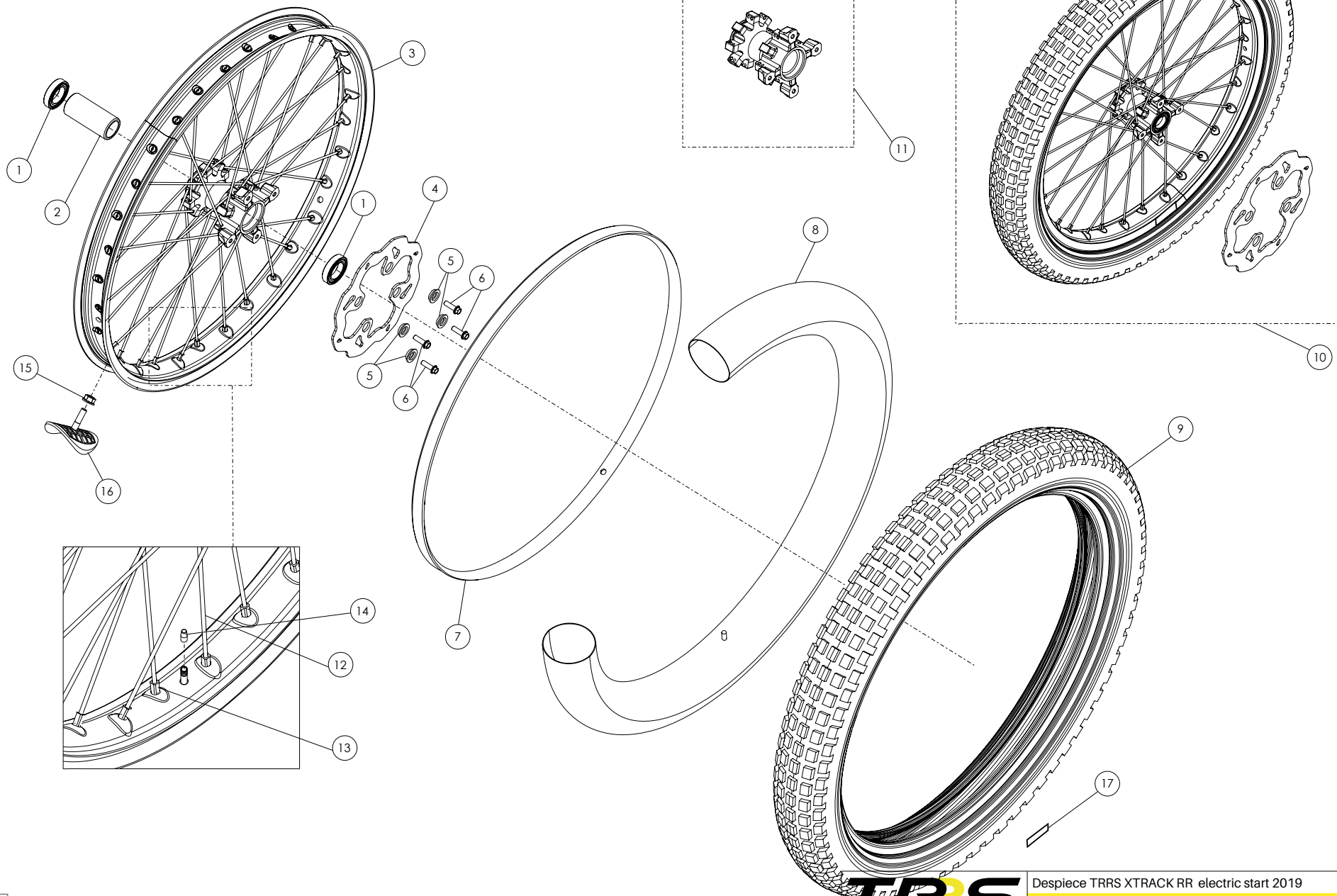
1

D

C

B

A



TRRS
MOTORCYCLES

Despiece TRRS XTRACK RR electric start 2019
11 - RD - Rueda Delantera - Explosionado
TRRS Motorcycles



Despiece TRRS XTRACK RR electric start 2019

.11 - RD - Rueda Delantera - Listado de Piezas

| Nº | Código | Descripción | Description | Cantidad |
|----|--------|-------------------------------|----------------------------------|----------|
| 1 | 52101 | Rodamiento 6004 | Bearing, 6004 | 2 |
| 2 | 70701 | Casquillo Interior Buje | Bushing, interior hub | 1 |
| 3 | 70702 | Conjunto llanta delantera | Front rim set | 1 |
| 4 | 70363 | Disco de Freno Delantero TRS | Front brake disc rotor | 1 |
| 5 | 70364 | Casquillo Disco Freno | Bushing, brake disc rotor | 4 |
| 6 | 50402 | Tornillo DIN 6921 M6 | Bolt, DIN 6921 M6 | 4 |
| 7 | 70703 | Goma Protector | Rubber protector (flap) | 1 |
| 8 | 70704 | Camara Delantera + Válvula | Front inner-tube with valve | 1 |
| 9 | 70705 | Michelin 2,75-21 | Tyre, Michelin 2.75x21 | 1 |
| 10 | 70721 | Conjunto rueda delantera | Front wheel set | 1 |
| 11 | 70712 | Buje delantero | Front hub | 1 |
| 12 | 70708 | Radios Rueda Delantera | Spoke, front wheel | 32 |
| 13 | 70709 | Tuerca Radios Rueda Delantera | Spoke nipple (nuts), front wheel | 32 |
| 14 | 70710 | Tapón Válvula Cámara | Valve cap | 1 |
| 15 | 51105 | Tuerca DIN 6923 M8 | Nut, DIN 6923 M8 | 1 |
| 16 | 70711 | Agarre Cubierta | Lock, Tyre to rim | 1 |



5

4

3

2

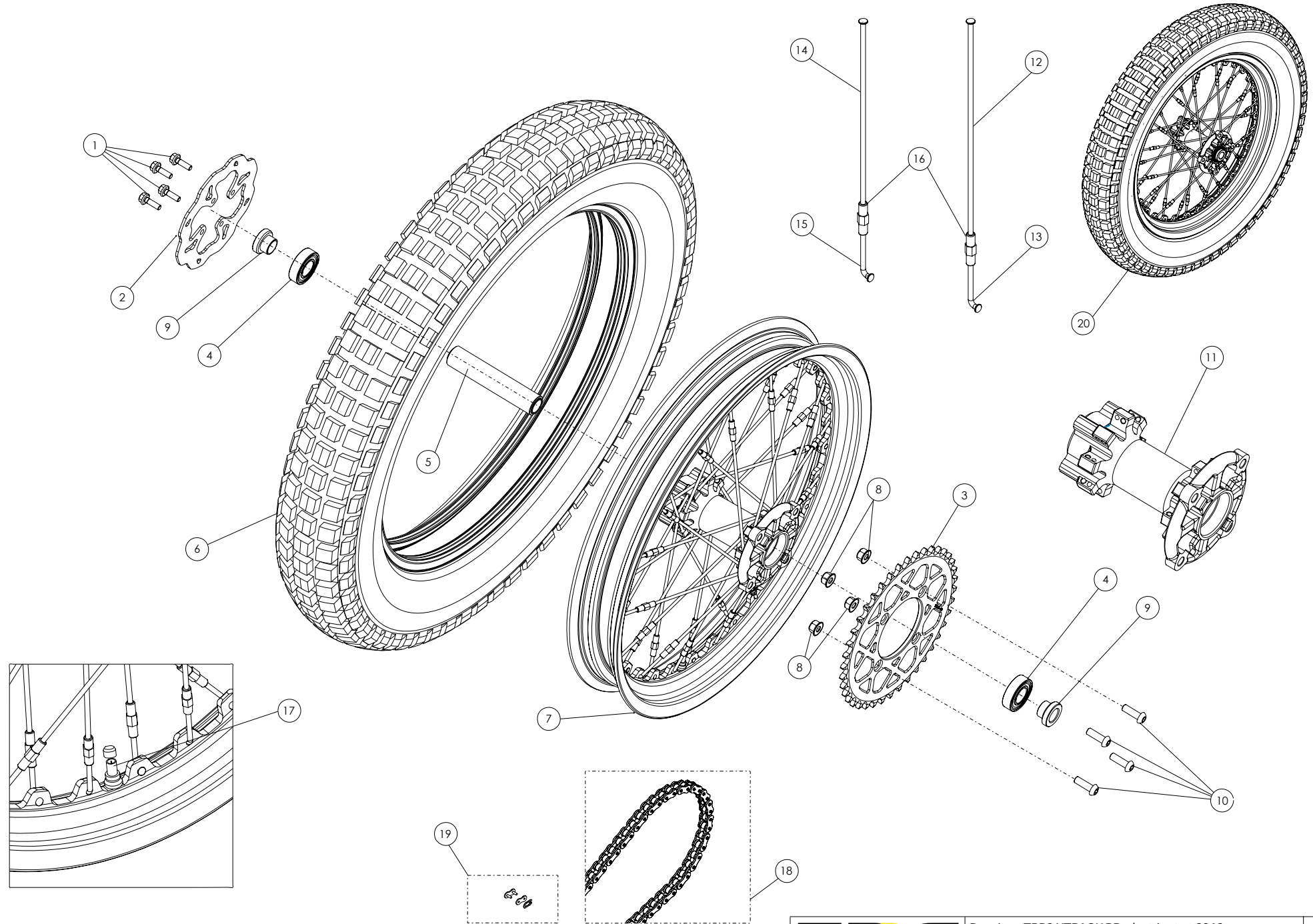
1

D

C

B

A



Despiece TRRS XTRACK RR electric start 2019
 12 - RT - Rueda Trasera - Explosionado
 TRRS Motorcycles

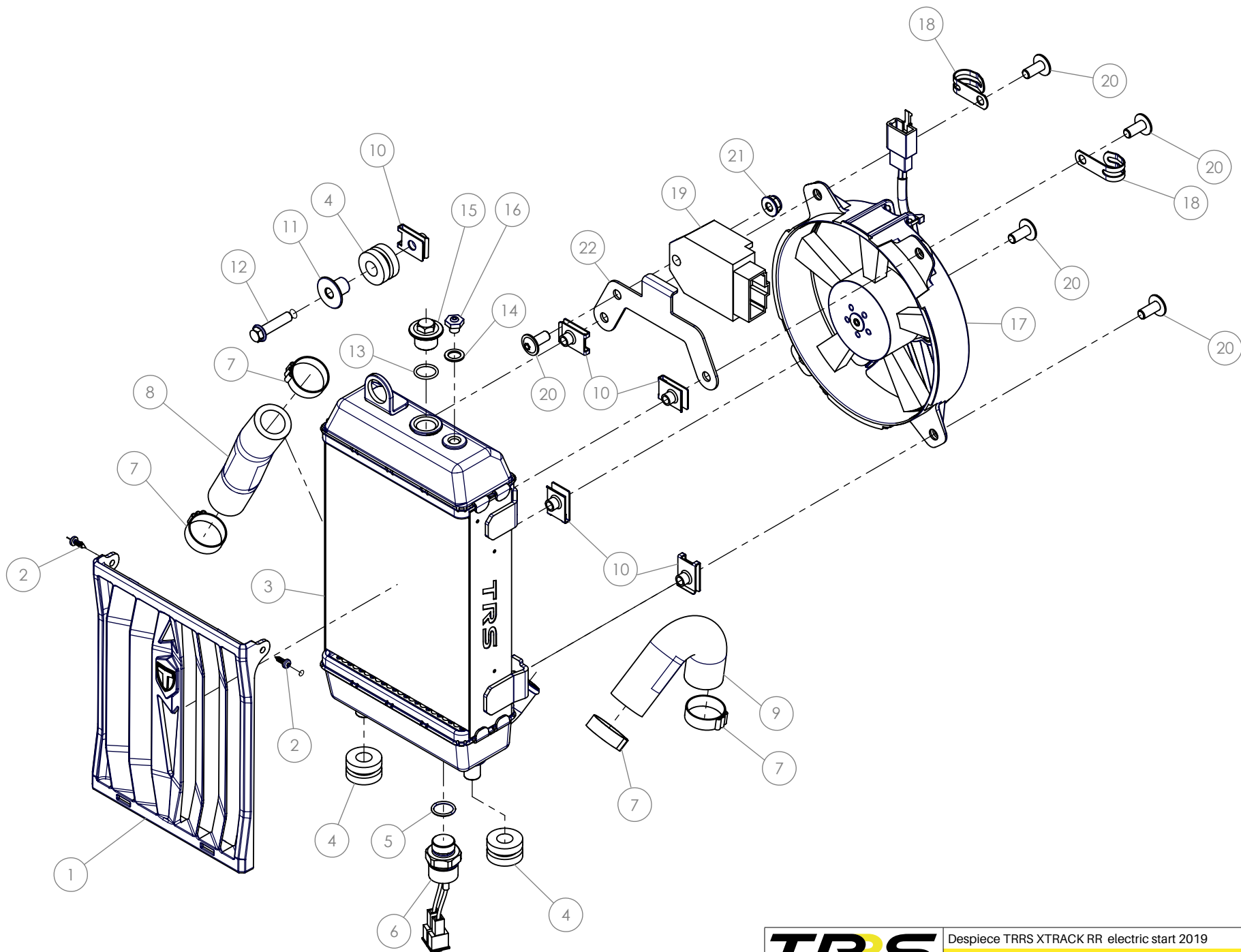


Despiece TRRS XTRACK RR electric start 2019

.12 - RT - Rueda Delantera - Listado de Piezas

| Nº | Código | Descripción | Description | Cantidad |
|----|-------------------|--|---|----------|
| 1 | 50402 | Tornillo DIN6921 M6x20 - Disco Freno Trasero | <i>Bolt, DIN 6921 M6x20 - Rear brake disc rotor</i> | 4 |
| 2 | 70314 | Disco Freno Trasero TRS | <i>Brake disc rotor, rear TRS</i> | 1 |
| 3 | 12003TR100 | Corona 40z Racing | <i>Rear sprocket 40-T racing</i> | 1 |
| 4 | 52101 | Rodamiento 6004 | <i>Bearing, 6004</i> | 2 |
| 5 | 70751 | Casquillo Interior Buje | <i>Bushing, interior hub</i> | 1 |
| 6 | 70752 | Neumático Trasero - Michelin x11 4,00 R18 | <i>Rear tyre - Michelin X11 4.00 R18</i> | 1 |
| 7 | 70764 | Conjunto llanta trasera (Buje blanco + llanta aligerada) | <i>Rear rim set (White hub + light rim)</i> | 0 |
| 8 | 51402 | Tuerca DIN 6927 Autoblocante M8 - Corona | <i>Nut, DIN 6927 self locking M8 - Sprocket</i> | 4 |
| 9 | 12002TR100 | Casquillo Distanciador Rueda | <i>Spacer bushing, wheel</i> | 2 |
| 10 | 50207 | Tornillo DIN 7380 M8x25 - Corona | <i>Bolt, DIN 7380 M8x25 - Sprocket</i> | 4 |
| 11 | 70767 | Buje Trasero | <i>Rear hub</i> | 1 |
| 12 | 70755 | Radio M4x0,7 LG. 175/18º - Lado Derecho | <i>Spoke, M4x0.7 long 175/18 - Right side</i> | 16 |
| 13 | 70756 | Radio M4x0,7 LG. 36/95º - Lado Derecho | <i>Spoke, M4x0.7 short 36/95 - Right side</i> | 16 |
| 14 | 70757 | Radio M4x0,7 LG. 165/12º - Lado Izquierdo | <i>Spoke, M4x0.7 long 165/12 - Left side</i> | 16 |
| 15 | 70758 | Radio M4x0,7 LG. 34,5/103º - Lado Izquierdo | <i>Spoke, M4x0.7 short 34.5/103 - Left side</i> | 16 |
| 16 | 70759 | Tuerca Radios Doble Rosca M4 | <i>Nipple (nut) double-end threaded M4</i> | 32 |
| 17 | 70760 | Válvula | <i>Valve</i> | 1 |
| 18 | 70401 | Cadena Transmisión | <i>Drive chain</i> | 1 |
| 19 | 70402 | Enganche Cadena | <i>Chain master-link</i> | 1 |
| 20 | 70779 | Cnto. Rueda trasera | <i>Rear wheel set</i> | 1 |





Despiece TRRS XTRACK RR electric start 2019

.13 - CR - Conjunto Radiador - Listado de Piezas

| Nº | Código | Descripción | Description | Cantidad |
|----|-------------------|---|---|----------|
| 1 | 13005TR100 | Protector Radiador | <i>Radiator protect</i> | 1 |
| 2 | 50606 | Tornillo 2,9x9,5 rosca chapa | <i>Screw 2.9x9.5</i> | 2 |
| 3 | 13009TR100 | Radiador TRRS | <i>Radiator TRRS</i> | 1 |
| 4 | 63002 | SilentBlock | <i>Silentblock, (vibration isolator)</i> | 3 |
| 5 | 53006 | Tórica 12x15x1,5 | <i>O-ring, 12x15x1.5</i> | 1 |
| 6 | 70214 | Termocontacto - (véase en lámina 09 / Chasis) | <i>Water temperature sensor (see sheet 09 / Frame)</i> | 1 |
| 7 | 58009 | Abrazadera Cobra 22 | <i>Hose clamp, Cobra 22</i> | 4 |
| 8 | 13003TR100 | Tubo agua derecho (Bomba- Radiador) | <i>Water hose, right side (Water pump - Radiator)</i> | 1 |
| 9 | 13002TR100 | Tubo Goma Izquierdo - Culata - Radiador | <i>Water hose, left side (Cylinder head - Radiator)</i> | 1 |
| 10 | 51301 | Tuerca rápida M6 | <i>Speed-nut M6</i> | 5 |
| 11 | 70802 | Casquillo superior silentblock radiador | <i>Bushing, upper silentblock radiator</i> | 1 |
| 12 | 50908 | Tornillo M6x25 | <i>Bolt, M6x25</i> | 1 |
| 13 | 53015 | Tórica 12x1,5 | <i>O-ring, 12x1.5</i> | 1 |
| 14 | 56102 | Arandela Cobre 8x12x1,5 | <i>Copper washer, 8x12x1.5</i> | 1 |
| 15 | 13004TR100 | Tapón Radiador | <i>Radiator cap</i> | 1 |
| 16 | 70801 | Válvula expansión radiador | <i>Radiator expansion valve</i> | 1 |
| 17 | 70234 | Ventilador | <i>Fan</i> | 1 |
| 18 | 58001 | Abrazadera 60mm | <i>Clamp 60mm</i> | 2 |
| 19 | 70239 | Regulador ventilador | <i>Regulator fan</i> | 1 |
| 20 | 50209 | Tornillo allen con valona M6x14 | <i>Screw allen with washer M6x14</i> | 5 |
| 21 | 51501 | Tuerca Autoblocante M6 | <i>Locknut M6</i> | 1 |
| 22 | 13011TR100 | Soporte regulador ventilador | <i>Fan regulator support</i> | 1 |

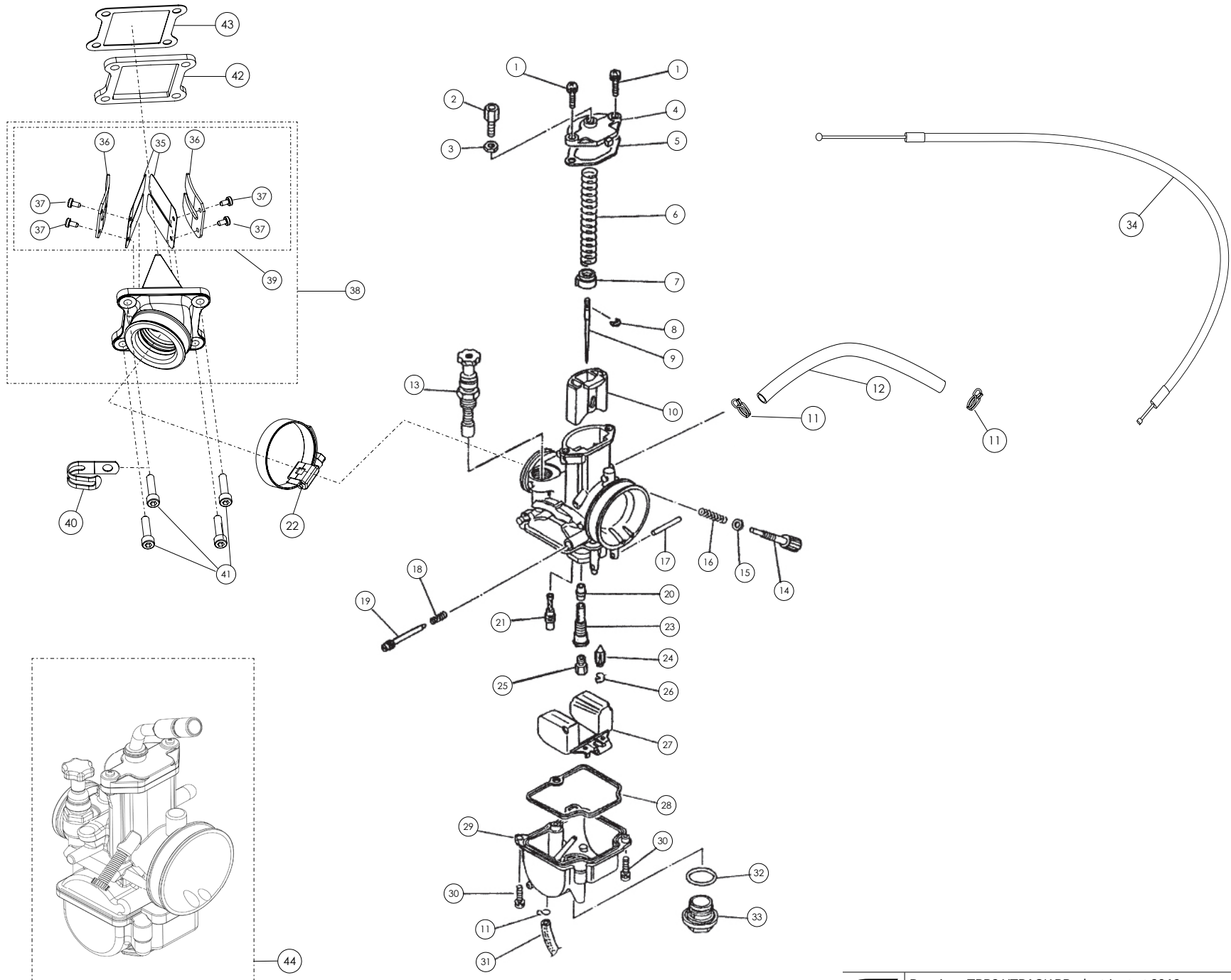


D

C

B

A



Despiece TRRS XTRACK RR electric start 2019
 14 - CC - Caja de Láminas y Carburador - Expl.
 TRRS Motorcycles



Despiece TRRS XTRACK RR electric start 2019

.14 - CC - Caja de Láminas y Carburador - Listado de Piezas

| Nº | Código | Descripción | Description | Cantidad |
|----|--------------|-----------------------|------------------------------------|----------|
| 1 | - | - | Screw, top cover | - |
| 2 | - | - | Cable Adjuster | - |
| 3 | - | - | Nut, Cable Adjuster | - |
| 4 | - | - | Top Cover | - |
| 5 | - | - | Gasket, Top | - |
| 6 | - | - | Spring, Throttle Valve | - |
| 7 | - | - | Collar, Throttle Spring | - |
| 8 | - | - | Clip, Jet Needle | - |
| 9 | 72010 | Aguja JJH 4º Punto | Jet Needl, JJH 4º step | 1 |
| 10 | - | - | Throttle Valve | - |
| 11 | 58010 | Clip Tubo | Fuel hose clip | 2 |
| 12 | 62002 | Tubo Gasolina | Fuel hose | 1 |
| 13 | - | - | Starter Valve (pull knob) Complete | - |
| 14 | - | - | Idle Adjuster | - |
| 15 | - | - | Washer, Idle Adjuster | - |
| 16 | - | - | Spring, Idle Adjuster | - |
| 17 | - | - | Float Pin | - |
| 18 | - | - | Spring, Air Adjuster | - |
| 19 | - | - | Air Adjust Screw | - |
| 20 | - | - | Needle Jet | - |
| 21 | 72006 | Chiclé bajas 48 | Slow Jet, 48 | 1 |
| 22 | 58011 | Abrazadera Norma30/45 | Clamp, Norma 30/45 | 1 |
| 23 | - | - | Needle Jet Holder SDGAA | - |
| 24 | - | - | Float Valve Complete | - |
| 25 | 72003 | Chiclé principal, 125 | Main Jet (hex type) 125 | 1 |
| 26 | - | - | Clip, Float Valve | - |
| 27 | - | - | Float | - |



Despiece TRRS XTRACK RR electric start 2019

.14 - CC - Caja de Láminas y Carburador - Listado de Piezas

| Nº | Código | Descripción | Description | Cantidad |
|----|-------------------|------------------------------|------------------------------------|----------|
| 28 | - | - | <i>Gasket, Float Bowl</i> | - |
| 29 | - | - | <i>Float Bowl Complete</i> | - |
| 30 | - | - | <i>Screw, Float Bowl</i> | - |
| 31 | - | - | <i>Overflow pipe</i> | - |
| 32 | - | - | <i>O-Ring, Plug Screw</i> | - |
| 33 | - | - | <i>Plug Screw</i> | - |
| 34 | 14004TR100 | Cable De Gas Regulable | <i>Throttle cable</i> | 1 |
| 35 | 70446 | Láminas | <i>Reed valves</i> | 1 |
| 36 | 70445 | Tope Metálico Láminas | <i>Metal stop, reeds</i> | 1 |
| 37 | 70444 | Tornillo M3 | <i>Bolt, M3</i> | 1 |
| 38 | 14005TR100 | Caja Láminas Completa Keihin | <i>Complete reed cage assembly</i> | 1 |
| 39 | 14008TR100 | Kit Láminas y Topes | <i>Kit, Reeds and stoppers</i> | 1 |
| 40 | 58001 | Abrazadera 60mm | <i>Clamp 60mm</i> | 1 |
| 41 | 50112 | Tornillo Din 912 M5X20 | <i>Bolt, DIN 912 M5x20</i> | 4 |
| 42 | 14006TR100 | Distanciador Caja de Láminas | <i>Spacer, Reed valve cage</i> | 1 |
| 43 | 14007TR100 | Junta Caja Láminas | <i>Gasket, Reed valve cage</i> | 1 |
| 44 | 70452 | Carburador Keihin PKW28 | <i>Carburetor, Keihin PKW28</i> | 1 |

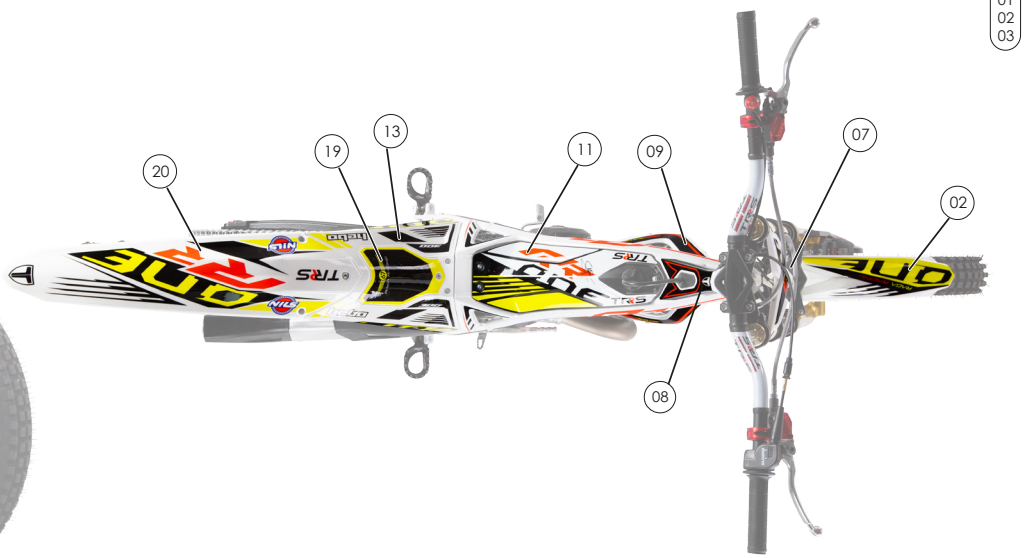
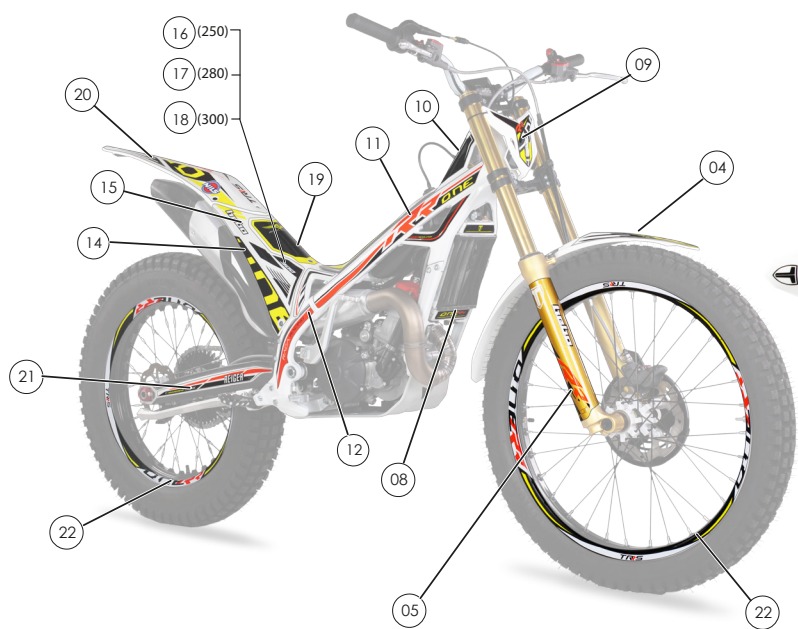
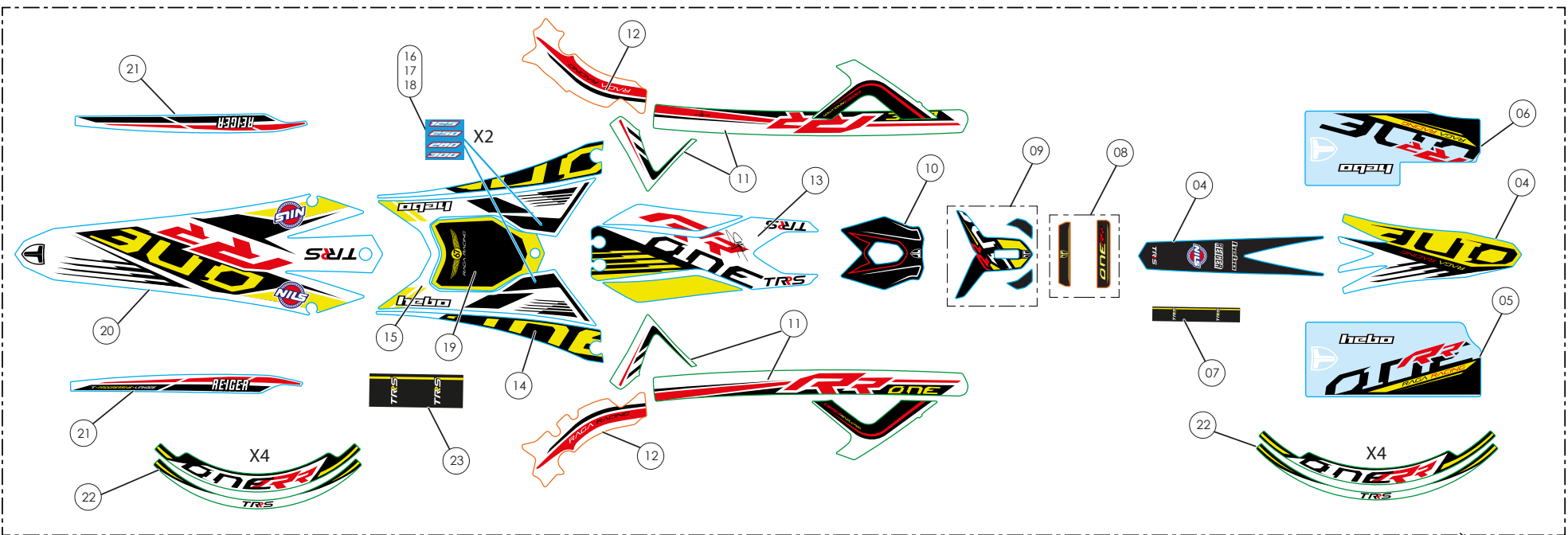


D

C

B

A



Despiece TRRS XTRACK RR electric start 2019
 15 - CA - Conjunto Adhesivos - Explosionado
 TRRS Motorcycles



Despiece TRRS XTRACK RR electric start 2019

15 - CA - Conjunto Adhesivos - Listado de piezas

| Nº | Código | Descripción | Description | Cantidad |
|----|------------|--|--|----------|
| 1 | 15068TR300 | Conjunto Adhesivos RR 2019 - 300cc | Sticker kit, complete RR 2019 - 300cc | 1 |
| 2 | 15068TR280 | Conjunto Adhesivos RR 2019 - 280cc | Sticker kit, complete RR 2019 - 280cc | 1 |
| 3 | 15068TR250 | Conjunto Adhesivos RR 2019 - 250cc | Sticker kit, complete RR 2019 - 250cc | 1 |
| 4 | 15068TR101 | Adhesivo Guardabarros Delantero RR 2019 | Sticker, front mudguard (fender) RR 2019 | 1 |
| 5 | 15068TR102 | Adhesivo Horquilla Izquierda RR 2019 | Sticker, fork-leg left RR 2019 | 1 |
| 6 | 15068TR103 | Adhesivo Horquilla Derecha RR 2019 | Sticker, fork-leg right RR 2019 | 1 |
| 7 | 15010TR101 | Adhesivo Buje Delantero | Sticker, front hub | 1 |
| 8 | 15068TR104 | Adhesivo Radiador RR 2019 | Racing Sticker, Radiator RR 2019 | 1 |
| 9 | 15068TR105 | Adhesivo Careta Faro RR 2019 | Sticker, headlamp mask RR 2019 | 1 |
| 10 | 15068TR108 | Adhesivo Chasis Superior RR 2019 | Sticker, upper frame RR 2019 | 1 |
| 11 | 15068TR106 | Juego Adhesivos Chasis RR 2019 | Stickers set, frame RR 2019 | 1 |
| 12 | 15068TR107 | Adhesivos Protector Lateral Chasis RR 2019 | Stickers, Chassis side protection RR 2019 | 1 |
| 13 | 15068TR109 | Adhesivo Depósito RR 2019 | Sticker, fuel tank RR 2019 | 1 |
| 14 | 15068TR112 | Adhesivos Lateral Caja de Filtro RR 2019 | Air filter box side RR 2019 | 1 |
| 15 | 15068TR110 | Adhesivo Caja de Filtro RR 2019 | Sticker, air filter box RR 2019 | 1 |
| 16 | 15068TR114 | Juego Adhesivos Lateral Caja de Filtro RR 2019 - 250 | Sticker, air filter box side RR 2019 - engine size 250 | 1 |
| 17 | 15068TR115 | Juego Adhesivos Lateral Caja de Filtro RR 2019 - 280 | Sticker, air filter box side RR 2019 - engine size 280 | 1 |
| 18 | 15068TR116 | Juego Adhesivos Lateral Caja de Filtro RR 2019 - 300 | Sticker, air filter box side RR 2019 - engine size 300 | 1 |
| 19 | 15068TR111 | Adhesivo Tapa Caja de Filtro RR 2019 | Sticker, air filter access cover RR 2019 | 1 |
| 20 | 15068TR117 | Adhesivo Guardabarros Trasero RR 2019 | Sticker, rear mudguard (fender) RR 2019 | 1 |
| 21 | 15068TR118 | Adhesivo Basculante RR 2019 | Sticker, swing-arm RR 2019 | 1 |
| 22 | 15068TR119 | Conjunto Adhesivos Llanta RR 2019 | Wheel sticker set (rim) RR 2019 | 1 |
| 23 | 15011TR101 | Adhesivo Buje Trasero | Sticker, rear hub | 1 |

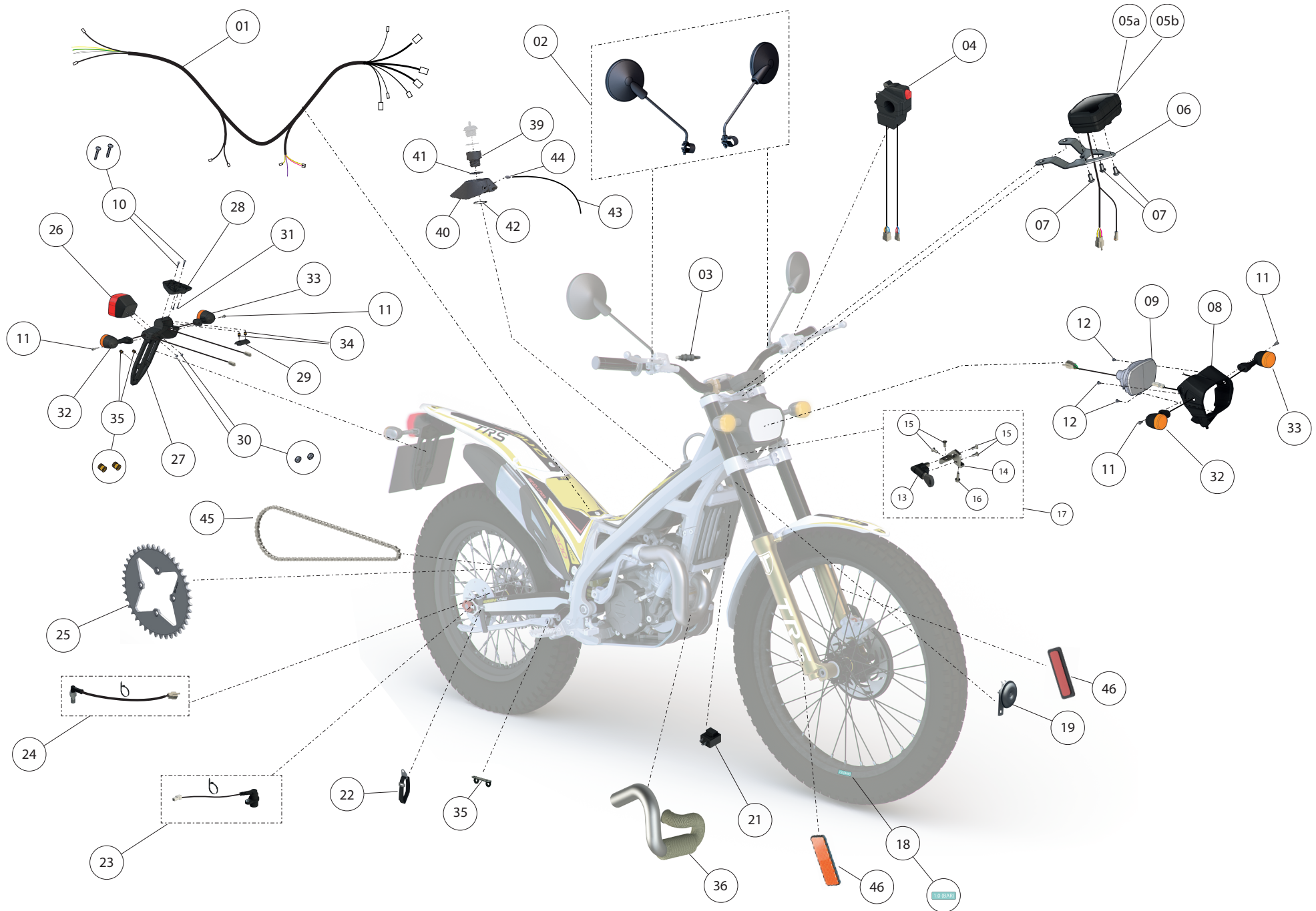


D

C

B

A

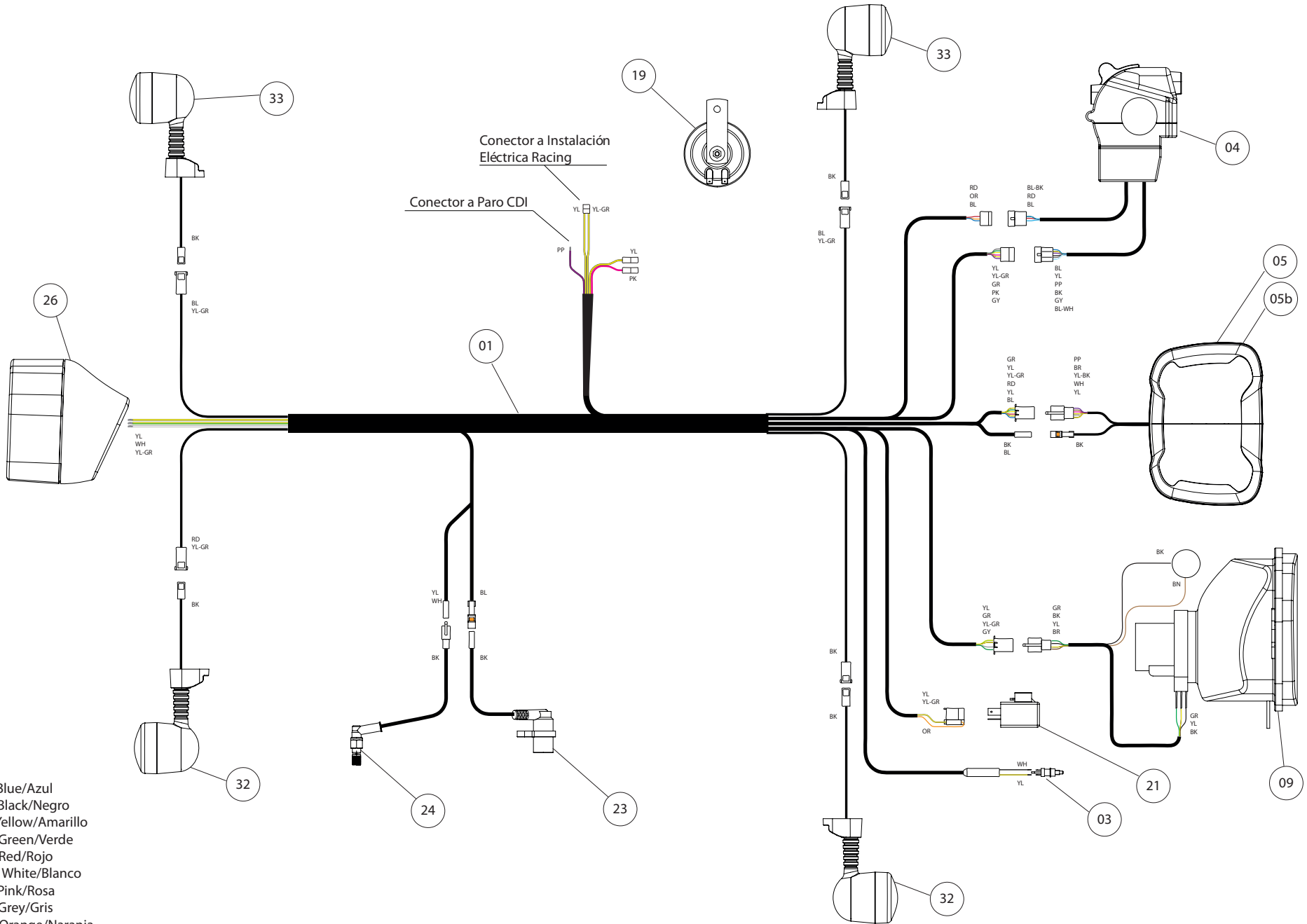


D

C

B

A



- BL: Blue/Azul
- BK: Black/Negro
- YL: Yellow/Amarillo
- GR: Green/Verde
- RD: Red/Rojo
- WH: White/Blanco
- PK: Pink/Rosa
- GY: Grey/Gris
- OR: Orange/Naranja
- PP: Purple/Lila



Despiece TRRS XTRACK RR electric start 2019
 16 - LH - Conjunto Homologación- Explosionado
 TRRS Motorcycles



Despiece TRRS XTRACK RR electric start 2019

.16 - LH - Conjunto Homologación- Listado de piezas

| Nº | Código | Descripción | Description | Cantidad |
|----|-------------------|--|--|----------|
| 1 | 16018TR100 | Instalación Eléctrica Homologación DC | <i>Wiring harness homologated DC</i> | 1 |
| 2 | 70111 | Retrovisores Izq y Der | <i>Rear view mirror set, left and right</i> | 1 |
| 3 | 70365 | Sensor Freno Delantero | <i>Front brake lamp switch</i> | 1 |
| 4 | 70215 | Mando Luces | <i>Light control switch</i> | 1 |
| 5 | 70216 | Multifunción KPH | <i>Instrument panel KPH</i> | 1 |
| 5b | 70226 | Multifunción MPH | <i>Instrument panel MPH</i> | 1 |
| 6 | 16002TR100 | Chapa Soporte Multifunción | <i>Support plate, instrument panel</i> | 1 |
| 7 | 50206 | Tornillo 7380 M5x10 - Multifunción | <i>Bolt, 7380 M5x10 - Instrument panel</i> | 3 |
| 8 | 16003TR100 | Careta Luz Frontal Homologación | <i>Headlamp shroud</i> | 1 |
| 9 | 70217 | Luz Frontal Homologada | <i>Headlamp lens assembly</i> | 1 |
| 10 | 50208 | Tornillo 7380 M5x20 - Guardabarros/Portamatrículas | <i>Bolt, 7380 M5x20 - mudguard-License plate mount</i> | 2 |
| 11 | 50608 | Tornillo Rosca Chapa 3,9x13 | <i>Screw, coarse thread 3.9x13</i> | 4 |
| 12 | 50609 | Tornillo Rosca Chapa 4,2x6,5 | <i>Screw, coarse thread 4.2x6.5</i> | 3 |
| 13 | 70112 | Cláusor | <i>Steering lock</i> | 1 |
| 14 | 16004TR100 | Pletina Cláusor | <i>Steering lock plate</i> | 1 |
| 15 | 50304 | Tornillo 7991 M5x10 - Cláusor | <i>Bolt, 7991 M5x10 - Lock</i> | 4 |
| 16 | 50403 | Tornillo 6921 M6x16 - Cláusor | <i>Bolt, 6921 M6x16 - Lock</i> | 1 |
| 17 | 70113 | Conjunto Cláusor | <i>Complete lock assembly</i> | 1 |
| 18 | 62003 | Goma Protectora Guardabarros Delantero | <i>Rubber protector, front mudguard</i> | 1 |
| 19 | 70219 | Claxon | <i>Horn</i> | 1 |
| 21 | 70242 | Regulador Intermitentes 12V 20W DC | <i>Turn lamp control module 12V 20W DC</i> | 1 |
| 22 | 58012 | Velcro Caballete | <i>Retention strap, side-stand (hook and loop - Velcro®)</i> | 1 |
| 23 | 70222 | Sensor Velocidad Multifunción | <i>Speed sensor, instrument panel</i> | 1 |
| 24 | 70315 | Sensor Luz Freno Trasero | <i>Rear brake lamp switch</i> | 1 |
| 25 | 16005TR100 | Corona 31 | <i>Rear sprocket, 31T</i> | 1 |
| 26 | 70223 | Piloto Freno Trasero | <i>Rear lamp assembly (taillamp)</i> | 1 |
| 27 | 16006TR100 | Brazo Portamatrículas | <i>Brace, license plate mount</i> | 1 |



Despiece TRRS XTRACK RR electric start 2019

.16 - LH - Conjunto Homologación- Listado de piezas

| Nº | Código | Descripción | Description | Cantidad |
|----|-------------------|---|--|----------|
| 28 | 16007TR100 | Base Portamatrículas | License plate mount | 1 |
| 29 | 16008TR100 | Brida Portamatrículas | Clamp, license plate mount | 1 |
| 30 | 51102 | Tuerca 934 M4 - Piloto Trasero | Nut, 934 M4 - Rear light | 2 |
| 31 | 50606 | Tornillo Rosca Chapa 2,9x9,5 - Brazo-Base Portamatrículas | Screw, course thread 2,9x9,5 - Brace-License plate mount | 2 |
| 32 | 70218 | Intermitente Derecho | Turn lamp, right | 2 |
| 33 | 70227 | Intermitente Izquierdo | Turn lamp, left | 2 |
| 34 | 51504 | Inserto Spredset M5x9,5 | Insert Spredset M5x9,5 | 4 |
| 35 | 16009TR100 | Chapa Caballete | Side-stand Plate | 1 |
| 36 | 16010TR100 | Curva Escape Homologación | Homologation Exhaust pipe | 1 |
| 38 | 14002TR100 | Cable Gas | Throttle cable | 1 |
| 39 | 70483 | Regulaciones Carburador (Altas 90, Bajas 30) | Carburetor control module (High 90, Low 30) | 1 |
| 40 | 16011TR100 | Recogedor Depósito - Intermedio | Fuel Tank Funnel, Midpart | 1 |
| 41 | 16012TR100 | Recogedor Depósito - Embudo | Fuel Tank Funnel | 1 |
| 42 | 53019 | Tórica Superior Depósito, 31x3 | Upper O'ring, 31x3 - Fuel Tank | 1 |
| 43 | 53020 | Tórica Inferior Depósito, 32,99 x 2,62 | Lower O'ring, 32,99 x 2,62 - Fuel Tank | 1 |
| 44 | 16014TR100 | Tubo Racord 4,5x9 Largo=33 | Banjo Bolt Tube, 4,5x9 Length=33 | 1 |
| 45 | 03002MT100 | Racord Recogedor Depósito | Fuel Tank Funnel Banjo bolt | 1 |
| 46 | 16015TR100 | Cadena Homologación 96 Pasos | Chain Homologación, 96 Links | 1 |
| 47 | 70119 | Catadrióptico | Catadryoptic | 2 |
| 48 | 15043TR100 | Adhesivo Presión neumáticos | Tire Pressure Sticker | 2 |



5

4

3

2

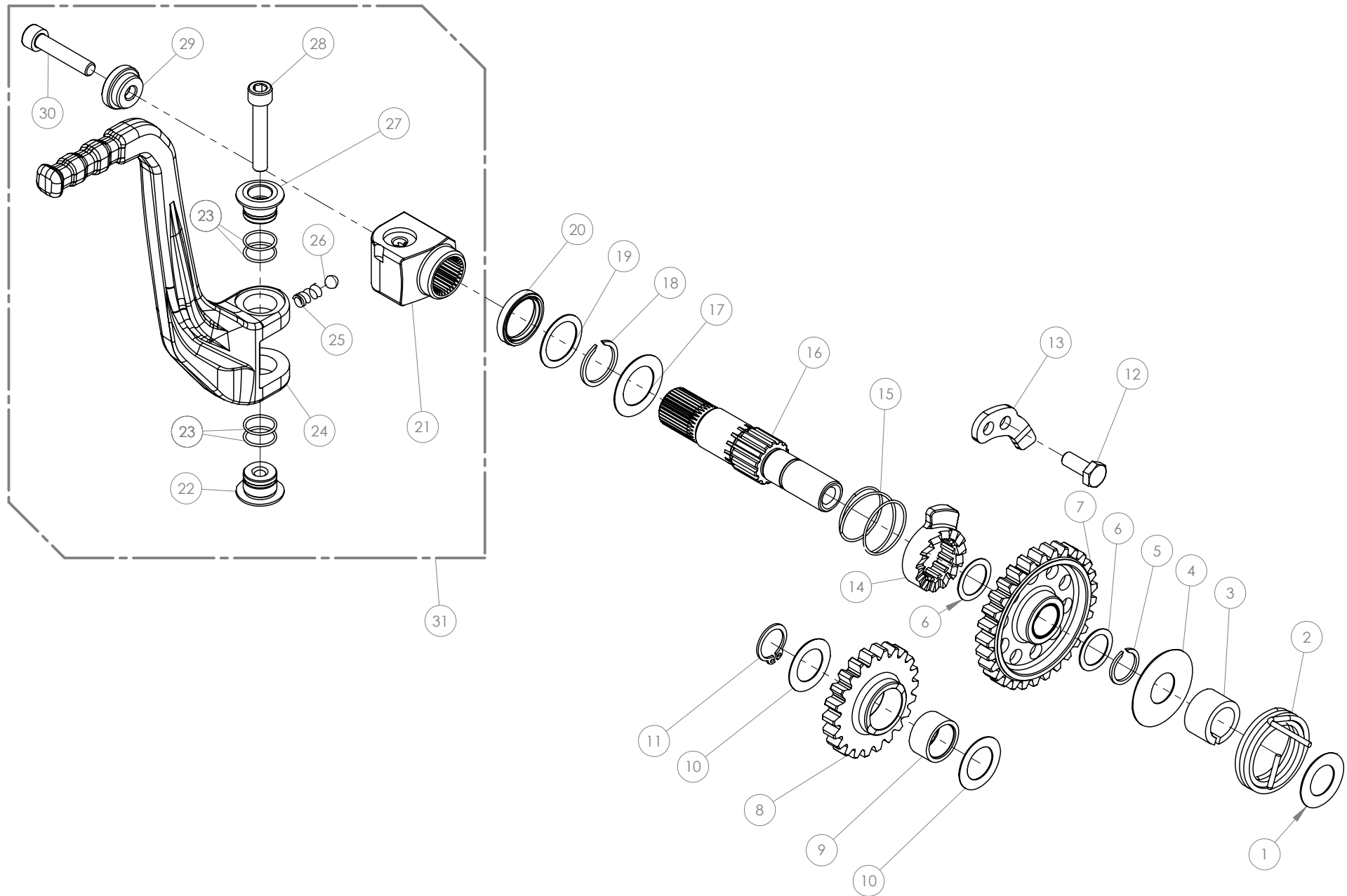
1

D

C

B

A



Despiece TRRS XTRACK RR electric start 2019
 01 - AP - Arranque Palanca - Explosionado
 TRRS Motorcycles



Despiece TRRS XTRACK RR electric start 2019

.01 - AP - Arranque Palanca - Listado de piezas

| Nº | Código | Descripción | Description | Cantidad |
|----|------------|--|--|----------|
| 1 | 01001MT100 | Arandela Interna Arranque 25x14x0.5 | Washer, internal kick-start 25x14x0.5 | 1 |
| 2 | 01002MT101 | Muelle Arranque | Spring, kick-start | 1 |
| 3 | 01018MT100 | Casquillo eje arranque | Spacer, kick starter | 1 |
| 4 | 01019MT100 | Arandela muelle arranque 14x35x0,5 | Washer, kick starter spring | 1 |
| 5 | 55010 | Circlip Arranque DIN-471 Ø14x1 | Circlip, kick starter DIN-471Ø14 x1 | 1 |
| 6 | 01020MT100 | Arandela piñon arranque 14x19x0,5 | Washer, Kick starter gear | 2 |
| 7 | 01026MT100 | Piñon arranque | Gear kick starter assembly | 1 |
| 8 | 01027MT100 | Piñon Intermedio Arranque | Gear, intermediate kick-start | 1 |
| 9 | 52513 | Rodamiento agujas Piñón Intermedio K15x19x10 | Bearing needle | 1 |
| 10 | 01015MT100 | Arandela Piñon Intermedio Arranque 24x15x0.5 | Washer, intermediate kick-start gear 24x15x0.5 | 2 |
| 11 | 55002 | Circlip Piñón Intermedio Arranque 15X1 DIN-471 | Circlip, intermediate kick-start gear 15x1 DIN-471 | 1 |
| 12 | 50503 | Tornillo Hexagonal | Bolt hexagonal | 1 |
| 13 | 01025MT100 | Chapa tope trinquete | Ratchet cam | 1 |
| 14 | 01022MT100 | Trinquete arranque | Kick starter ratchet | 1 |
| 15 | 01023MT100 | Muelle trinquete arranque | Spring, kick starter ratched | 1 |
| 16 | 01024MT100 | Eje arranque | Kick starter shaft | 1 |
| 17 | 01028MT100 | Arandela Ø14Ø28x0.5 | Washer | 1 |
| 18 | 55011 | Circlip DIN-471 Ø18 x1.2 | Circlip DIN-471Ø18 x1.2 | 1 |
| 19 | 01008MT101 | Arandela Eje Arranque 18X24X0,5 | Washer, kick-start shaft 18x24x0.5 | 1 |
| 20 | 54003 | Retén Arranque 18x24x4 | Seal, kick-start 18x24x4 | 1 |
| 21 | 01010MT100 | Muñequilla Pedal Arranque | Fulcrum, kick-start pedal | 1 |
| 22 | 01011MT100 | Casquillo Pedal Arranque - Inferior | Bushing, kick-start pedal (lower) | 1 |
| 23 | 53007 | Tórica Muñequilla Nbr 12X1 | O-ring, starter fulcrum Nbr 12x1 | 4 |
| 24 | 01014MT100 | Pedal Arranque Trs | Pedal, kick-start | 1 |
| 25 | 01013MT100 | Muelle posicionador palanca arranque | Spring, kickstart position | 1 |
| 26 | 60002 | Bola Pedal Arranque F84Kug5,556 | Ball, kick-start retention | 1 |
| 27 | 01009MT100 | Casquillo Pedal Arranque - Superior | Bushing, kick-start pedal (upper) | 1 |
| 28 | 50113 | Tornillo Pedal Arranque Din 912 M6X1X35 | Bolt, kick-start pedal DIN 912 M6x1x35 | 1 |
| 29 | 01012MT100 | Casquillo Sujeción Pedal - Muñequilla | Retention bushing, kick-start pedal | 1 |
| 30 | 50110 | Tornillo Din 912 M6X25 Muñequilla Arranque | Bolt, Din 912 M6x25 kick-start fulcrum | 1 |
| 31 | 01017MT100 | Conjunto Palanca | Set, Starting Pedal | 1 |

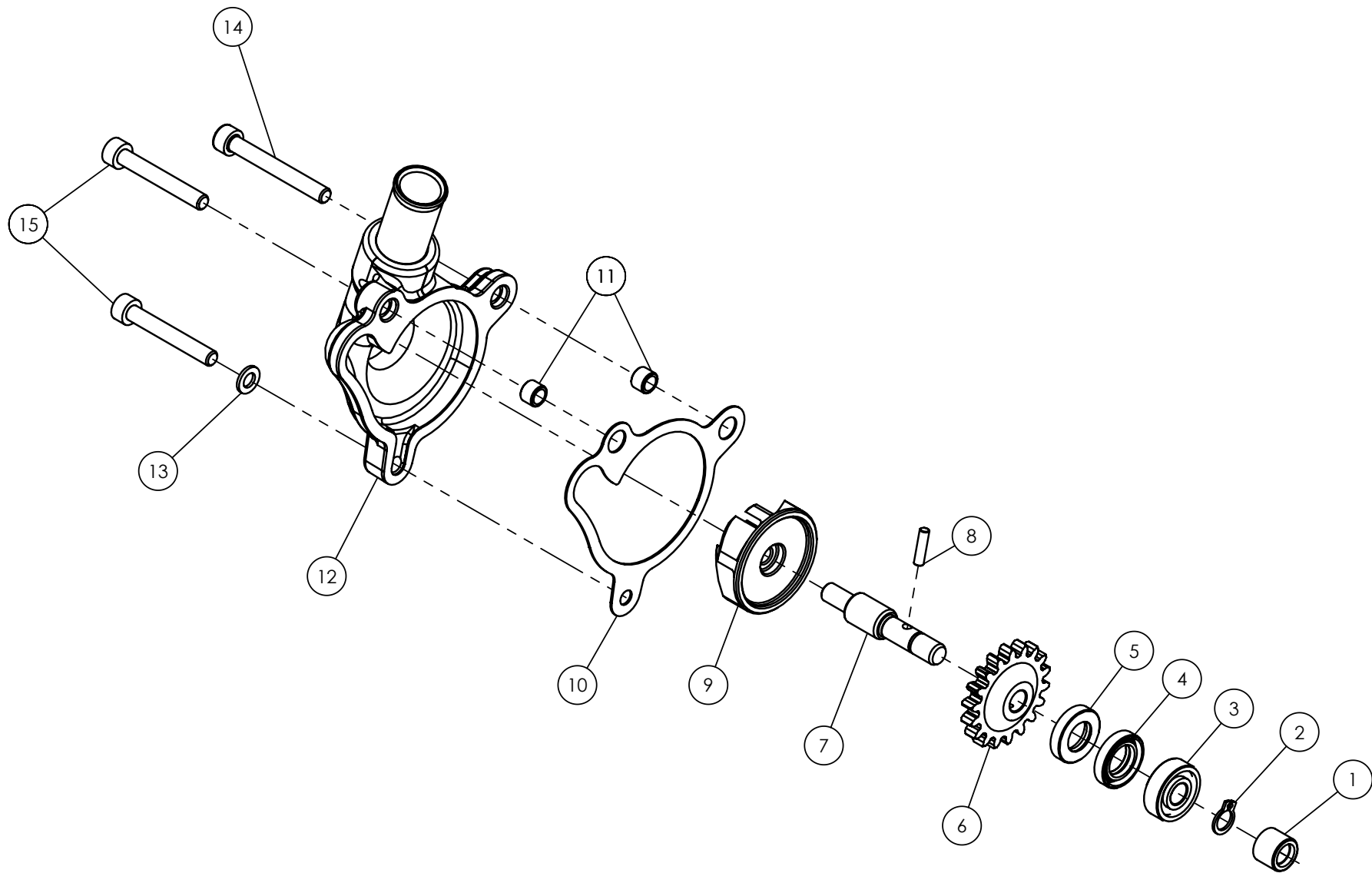


D

C

B

A



Despiece TRRS XTRACK RR electric start 2019

.02 - BA - Bomba Agua - Listado de Piezas

| Nº | Código | Descripción | Description | Cantidad |
|----|------------|----------------------------------|---------------------------------------|----------|
| 1 | 52504 | Rodamiento Agujas HK0709 | Needle bearing HK0709 | 1 |
| 2 | 55003 | Circlip 7x0,8 Din-471 | Circlip 7x0,8 Din-471 | 1 |
| 3 | 52102 | Rodamiento Bomba 19x7x6 607 | Bearing, water-pump 19x7x6 607 | 1 |
| 4 | 54009 | Retén Bomba Agua 10x18x4 NBR | Seal, water-pump 10x18x4 NBR | 1 |
| 5 | 54004 | Retén Bomba Agua 10x18x4 Viton | Seal, water-pump 10x18x4 Viton | 1 |
| 6 | 02001MT100 | Piñón Bomba Agua | Gear, water-pump | 1 |
| 7 | 02002MT100 | Eje Bomba agua | Shaft, water pump | 1 |
| 8 | 61002 | Aguja Eje Piñon Bomba Ø3x12 | Needle, pump shaft gear Ø3X12 | 1 |
| 9 | 02003MT100 | Turbina Bomba Agua | Turbine, water-pump | 1 |
| 10 | 02008MT100 | Junta Bomba Agua | Gasket, water-pump | 1 |
| 11 | 57005 | Casquillo Centrador Ø5x7x5 | Pivot Cap, Ø5x7x5 | 2 |
| 12 | 02009MT100 | Cjto. Tapa bomba agua | Water-pump cover set | 1 |
| 13 | 56103 | Arandela Cooper Tapa Bomba 5x9x1 | Copper washer, water-pump cover 5x9x1 | 1 |
| 14 | 50115 | Tornillo Allen DIN 912 M5x40 | Bolt, Allen DIN 912 M5x40 | 1 |
| 15 | 50116 | Tornillo Allen DIN 912 M5x35 | Bolt, Allen DIN 912 M5x35 | 2 |



5

4

3

2

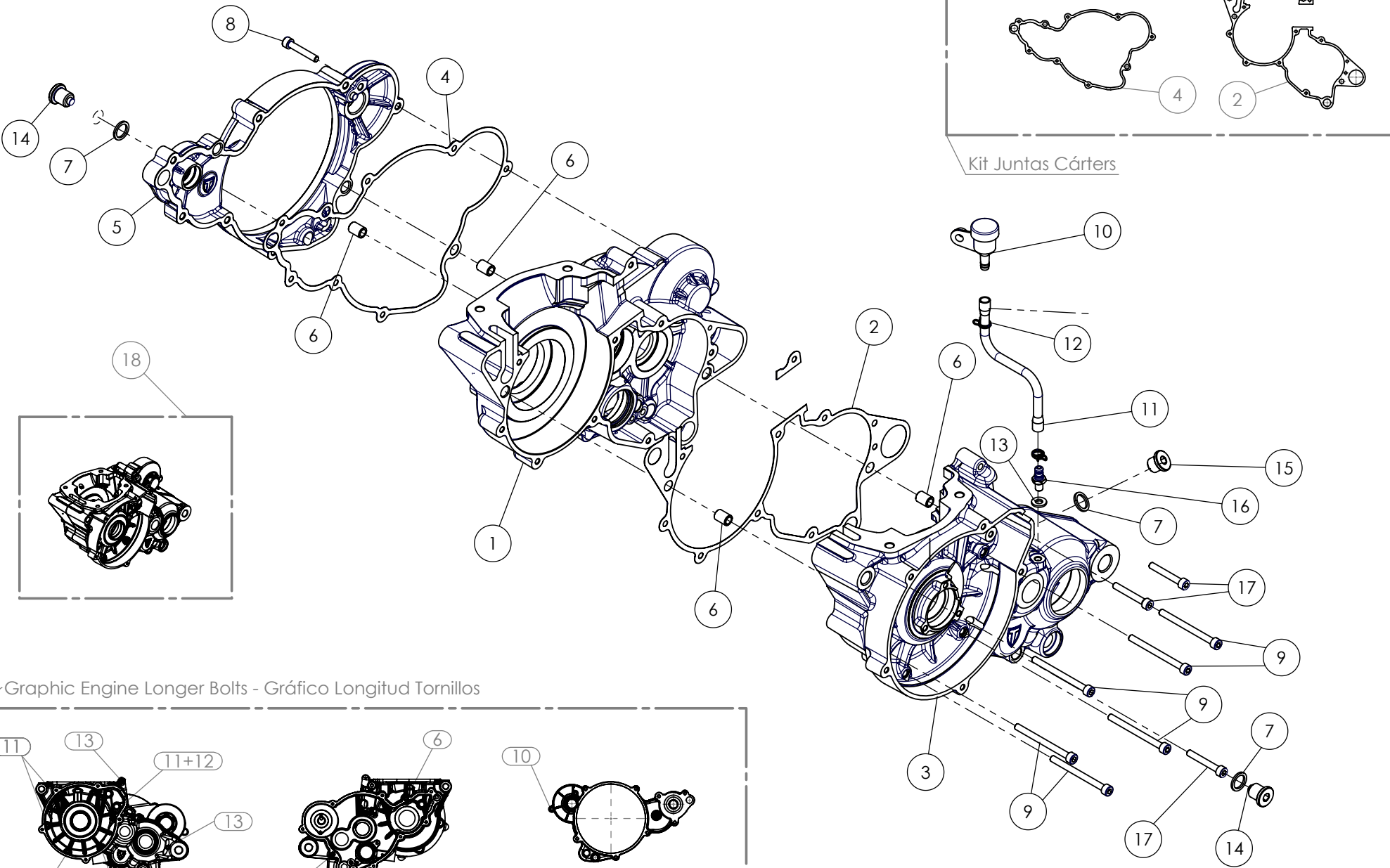
1

D

C

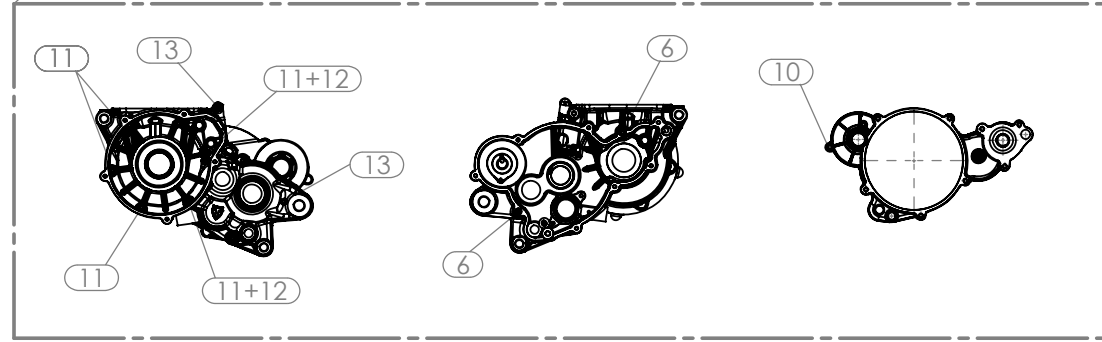
B

A



Kit Juntas Cáters

Graphic Engine Longer Bolts - Gráfico Longitud Tornillos



Despiece TRRS XTRACK RR electric start 2019
 03 - CM - Cáters Motor - Explosionado
 TRRS Motorcycles



Despiece TRRS XTRACK RR electric start 2019

.03 - CM - Cárters Motor - Listado de Piezas

| Nº | Código | Descripción | Description | Cantidad |
|----|------------|--------------------------------------|----------------------------------|----------|
| 1 | 03010MT100 | Cárter derecho | Case halve, right side | 1 |
| 2 | 03013MT100 | Junta carter central | Gasket, center case | 1 |
| 3 | 03019MT100 | Cárter izquierdo arranque electrico | Left crankcase electric starter | 1 |
| 4 | 03011MT100 | Junta carter embrague | Gasket, clutch cover | 1 |
| 5 | 03018MT100 | Tapa interior embrague | Inner clutch cover | 1 |
| 6 | 57002 | Centrador carter | Centering bushing, crank case | 4 |
| 7 | 56104 | Arandela 12X16X1.5 cobre | Copper washer, 12x16x1.5 | 3 |
| 8 | 50121 | Tornillo allen M5X25 | Bolt allen M5x25 | 1 |
| 9 | 50117 | Tornillo allen M5X60 | Bolt allen M5x60 | 6 |
| 10 | 01018TR100 | Depósito desvaporizador | Ventilation reservoir | 1 |
| 11 | 62104 | Tubo tubo goma desvaporizador carter | Rubber hose crankcase vent | 1 |
| 12 | 58010 | Clip Tubo desvaporizador | Clip, vent hose retention | 2 |
| 13 | 56105 | Arandela 6x12x1.5 cobre | Copper washer, 12x6x1.5 | 1 |
| 14 | 03003MT100 | Tapón vaciado aceite con imán | Drain plug oil with magnet | 2 |
| 15 | 03001MT100 | Tapón llenado aceite | Oil filler cap | 1 |
| 16 | 03002MT100 | Racor desvaporizador | Breather pipe | 1 |
| 17 | 50116 | Tornillo allen M5X35 | Bolt allen M5x35 | 3 |
| 18 | 03020MT100 | Conjunto carteres arranque electrico | Engine case set electric starter | 1 |

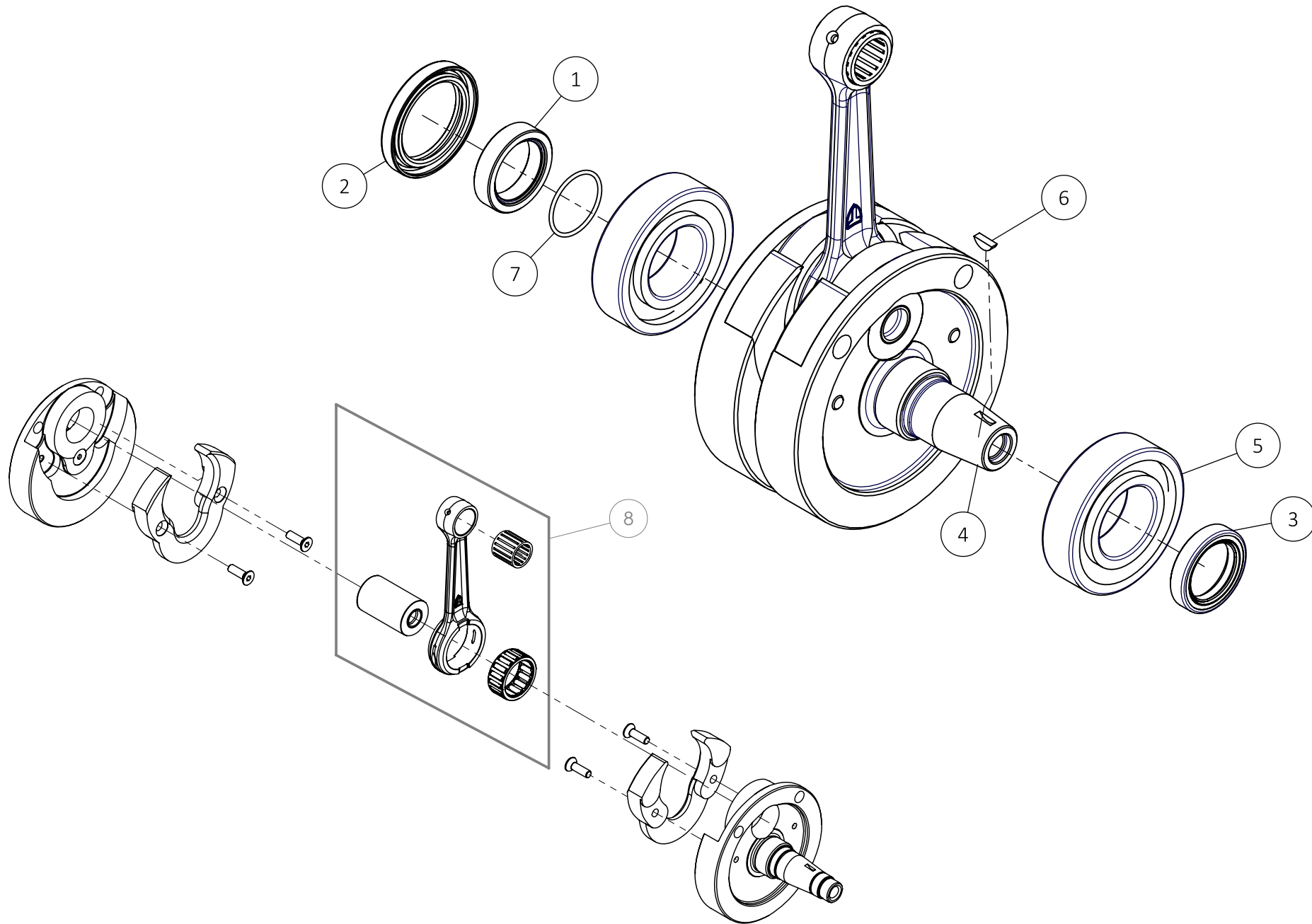


D

C

B

A



Despiece TRRS XTRACK RR electric start 2019

.04 - CM - Cigüeñal - Listado de Piezas

| Nº | Código | Descripción | Description | Cantidad |
|----|------------|---------------------------------|-----------------------------|----------|
| 1 | 04013MT100 | Casquillo piñon salida cigüeñal | Bushing, primary gear | 1 |
| 2 | 54011 | Reten doble labio (Primario) | Double Lip Seal | 1 |
| 3 | 54005 | Retén cigüeñal volante | Seal, crankshaft magneto | 1 |
| 4 | 04025MT100 | Cigüeñal arranque electrico | crankshaft electric starter | 1 |
| 5 | 52109 | Rodamiento de bolas | Ball bearing | 2 |
| 6 | 59001 | Chaveta volante magnético | Key, magneto flywheel | 1 |
| 7 | 53016 | Tórica 25x1,5 | O-ring 25x1,5 | 1 |
| 8 | 04003MT100 | Kit biela | Rod kit | 1 |

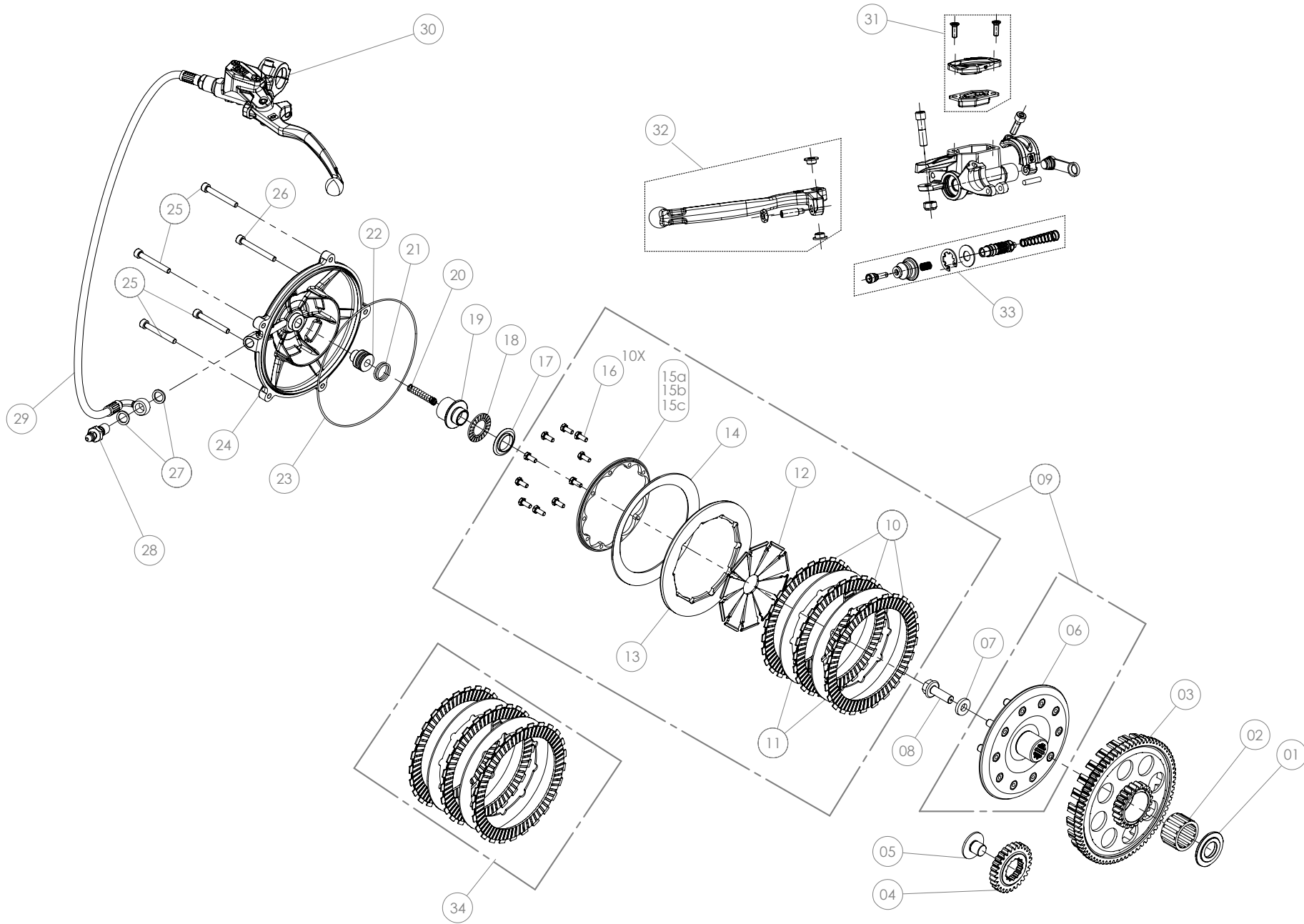


D

C

B

A



Despiece TRRS XTRACK RR electric start 2019

.05 - CE - Conjunto Embrague - Listado de Piezas

| Nº | Código | Descripción | Description | Cantidad |
|-----|------------|---|---|----------|
| 1 | 05001MT100 | Arandela Distanciadador Embrague | Washer, clutch spacer | 1 |
| 2 | 52505 | Rodamiento Agujas Campana K25x33x20 | Needle bearing, clutch hub K25x33x20 | 1 |
| 3 | 05004MT100 | Campana Embrague | Clutch hub | 1 |
| 4 | 05019MT100 | Piñón Transmisión Primario | Primary gear | 1 |
| 5 | 05020MT100 | Tornillo Piñón Primario | Bolt, Primary gear | 1 |
| 6 | 05005MT100 | Cubo Embrague | Outer clutch hub set | 1 |
| 7 | 05006MT100 | Arandela Apriete Cubo | Washer, clutch hub retention | 1 |
| 8 | 50910 | Tornillo 6921 M8x16 - Agujero Pasante | Bolt, 6921 M8x16 - hollow | 1 |
| 9 | 70907 | Conjunto Embrague Completo | Complete clutch assembly | 1 |
| 10 | 05007MT100 | Disco Embrague | Fiber disc, clutch | 3 |
| 11 | 05008MT100 | Disco Metálico Embrague | Metal disc, clutch | 2 |
| 12 | 05009MT100 | Chapa Palanca Embrague | plate, clutch actuation | 10 |
| 13 | 05010MT100 | Prensa Embrague | pressure plate, clutch | 1 |
| 14 | 05011MT100 | Muelle Prensa | Spring, clutch (belville) | 1 |
| 15a | 05012MT100 | Soporte muelle embrague (MED) | Clutch spring suport (MED) | 1 |
| 15b | 05023MT100 | Soporte muelle embrague (DURO) | Clutch spring support (HARD) | 0 |
| 15c | 05024MT100 | Soporte muelle embrague (BLANDO) | Clutch spring support (SOFT) | 0 |
| 16 | 50502 | Tornillo DIN 933 M4x10 - Fijador Muelle | Bolt, DIN 933 M4x10 - Clutch compression ring | 10 |
| 17 | 05013MT100 | Arandela Fricción Embrague | Bushing, clutch compression | 1 |
| 18 | 52506 | Rodamiento Pistón Embrague Agujas AXK1730 | Needle bearing, clutch compression AXK1730 | 1 |
| 19 | 05014MT101 | Pistón Bombín Embrague | Piston, clutch slave | 1 |
| 20 | 05016MT100 | Muelle Pistón embrague | Spring, clutch piston | 1 |
| 21 | 53010 | Tórica Embrague 15x1,5 NBR - Pistón Interno | O-ring, clutch 15x1.5 NBR - slave piston internal | 2 |
| 22 | 05015MT101 | Pistón Interno | Post, internal clutch slave | 1 |
| 23 | 53011 | Tórica Tapa Embrague 135x1,5 | O-ring, clutch cover 135x1.5 | 1 |
| 24 | 05017MT100 | Tapa Embrague TRS | Clutch disc cover TRS | 1 |
| 25 | 50119 | Tornillo DIN 912 M5x45 - Tapa Embrague | Bolt, DIN 912 M5x45- Clutch cover | 4 |
| 26 | 50123 | Tornillo DIN 912 M5x50 - Tapa Embrague | Bolt, DIN 912 M5x50- Clutch cover | 1 |
| 27 | 56101 | Arandela 10x14x1,5 - Racord Embrague | Washer, 10x14x1.5 - hydraulic sealing | 2 |
| 28 | 70901 | Racord M10 Tapa Embrague | Bleeder valve, clutch cover (Banjo) | 1 |



Despiece TRRS XTRACK RR electric start 2019

.05 - CE - Conjunto Embrague - Listado de Piezas

| Nº | Código | Descripción | Description | Cantidad |
|----|-------------------|-------------------------------------|---|----------|
| 29 | 70902 | Latiguillo Embrague | <i>Clutch hose</i> | 1 |
| 30 | 70917 | Bomba de Embrague Racing | <i>Pump Racing, Clutch</i> | 1 |
| 31 | 70910 | Tapa Depósito Bomba Embrague Racing | <i>Cover kit Racing, clutch master cylinder reservoir</i> | 1 |
| 32 | 70905 | Maneta Embrague Racing | <i>Racing Clutch lever (handle)</i> | 1 |
| 33 | 70914 | Conjunto Pistón Bomba Embrague | <i>Piston Kit, clutch master cylinder</i> | 1 |
| 34 | 05018MT100 | Conjunto Discos Embrague | <i>Clutch disc set</i> | 1 |

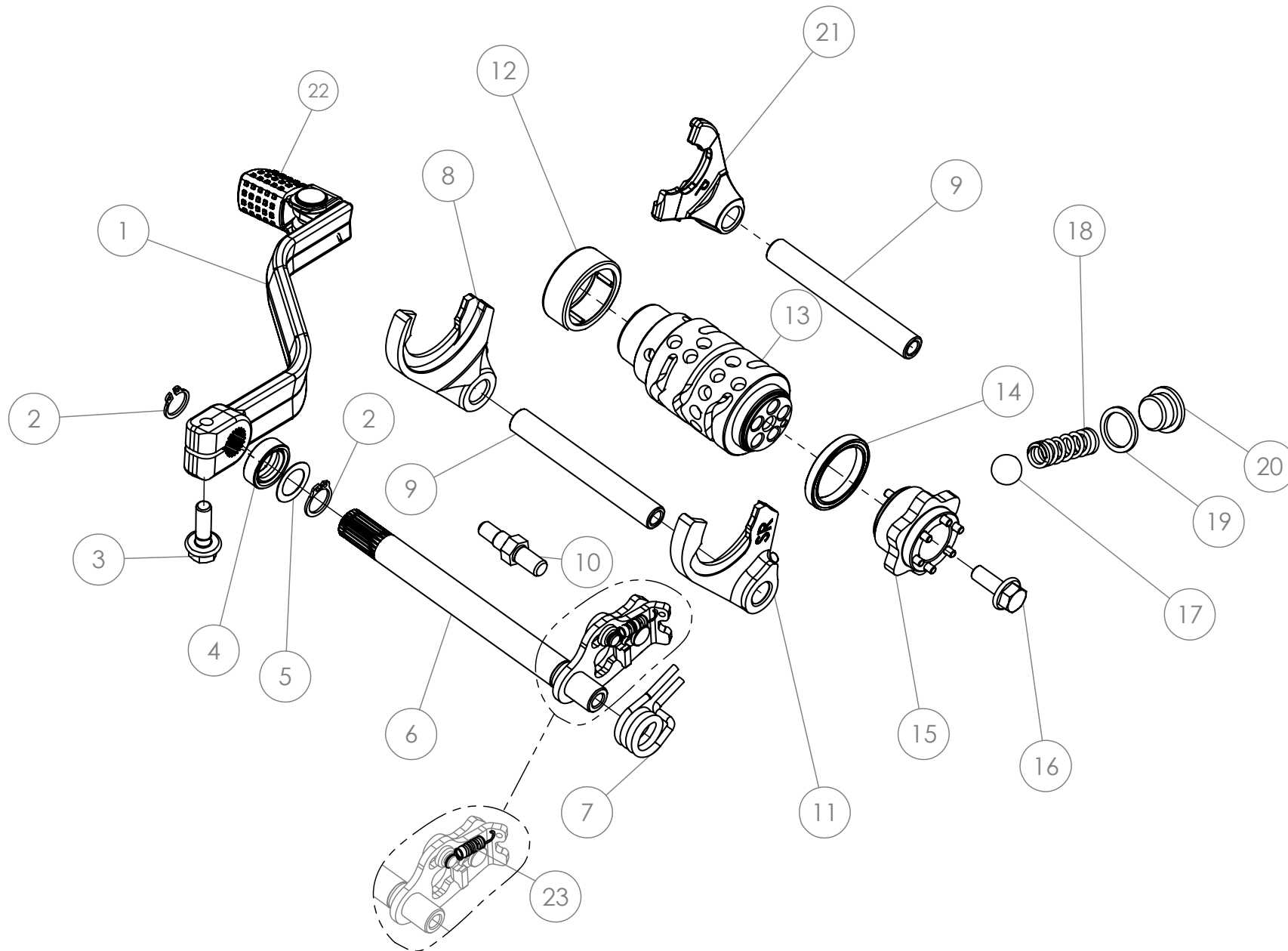


D

C

B

A



Despiece TRRS XTRACK RR electric start 2019

.06 - SC - Selector Cambio - Listado de Piezas

| Nº | Código | Descripción | Description | Cantidad |
|----|------------|---|---|----------|
| 1 | 06001MT101 | Conjunto Palanca Cambio | Complete shift pedal | 1 |
| 2 | 55004 | Circlip DIN-471-Ø12 | Circlip DIN-471-Ø12 | 2 |
| 3 | 50909 | Tornillo DIN 6921 M6x20 Hexagonal | Bolt, DIN 6921 M6x20 hex-head | 1 |
| 4 | 54006 | Retén Eje Cambio 12x20x6 | Seal, shift shaft 12x20x6 | 1 |
| 5 | 06002MT100 | Arandela 12x18x0.3 | Washer 12x18x0.3 | 1 |
| 6 | 06027MT100 | Eje selector completo | Shifting shaft set | 1 |
| 7 | 06031MT100 | Muelle eje selector | Spring, shifting shaft | 1 |
| 8 | 06006MT100 | Horquilla secundario Izquierda SL | Fork, secondary left SL | 1 |
| 9 | 06007MT100 | Eje Horquillas | Shaft, shift fork | 2 |
| 10 | 06003MT100 | Tope Recorrido Selector | Stop, shift shaft | 1 |
| 11 | 06008MT100 | Horquilla secundario derecha SR | Fork, secondary right SR | 1 |
| 12 | 52507 | Rodamiento Izquierdo Desmodrómico HK2512 | Bearing, left Shift drum HK2512 | 1 |
| 13 | 06037MT100 | Desmodrómico | Shift rolller | 1 |
| 14 | 52103 | Rodamiento Derecha Desmodromico Bolas 61705-SRS | Bearing, shift drum right - balls 61705-SRS | 1 |
| 15 | 06032MT100 | Estrella desmo | Gearshift set | 1 |
| 16 | 50903 | Tornillo DIN 6921 M6x16 | Bolt, DIN 6921 M6x16 | 1 |
| 17 | 60003 | Bola Fijador Marchas Kug 11,906 | Ball, gear selector position Kug 11.906 | 1 |
| 18 | 06029MT100 | Muelle Fijador Marchas | Spring, gear selector tension | 1 |
| 19 | 56106 | Arandela 14X18X1.5 Copper | Copper Washer, 14x18x1.5 | 1 |
| 20 | 06018MT100 | Tapón Muelle Selector | Cap, selector spring | 1 |
| 21 | 06017MT100 | Horquilla primario | Fork, primary | 1 |
| 22 | 70451 | Kit Reparación Palanca Selector | Repair kit, shift pedal tip | 1 |
| 23 | 06030MT100 | Muelle selector marchas | Spring tensioning, shifting plate | 1 |

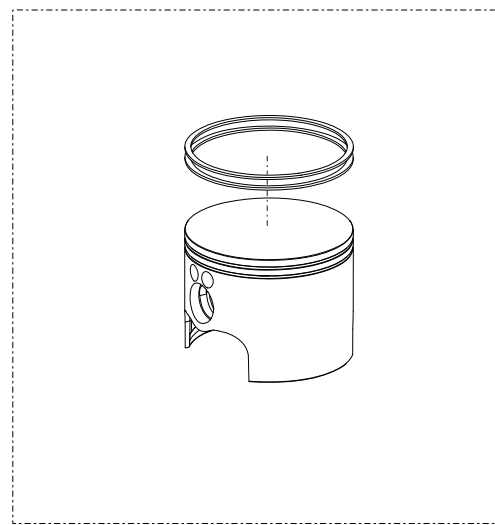
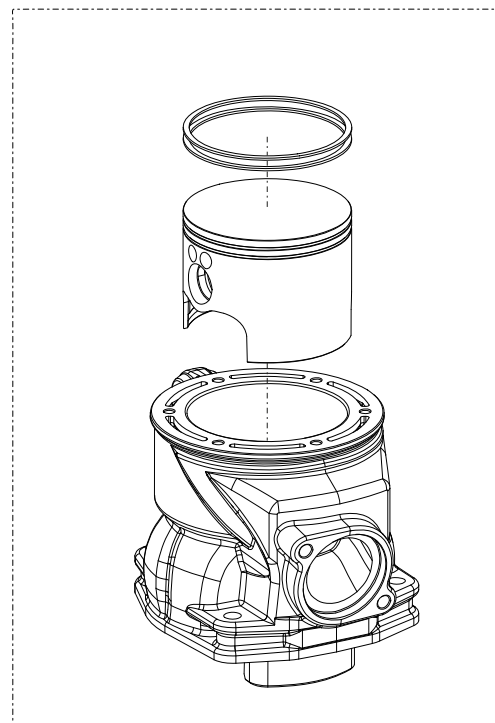
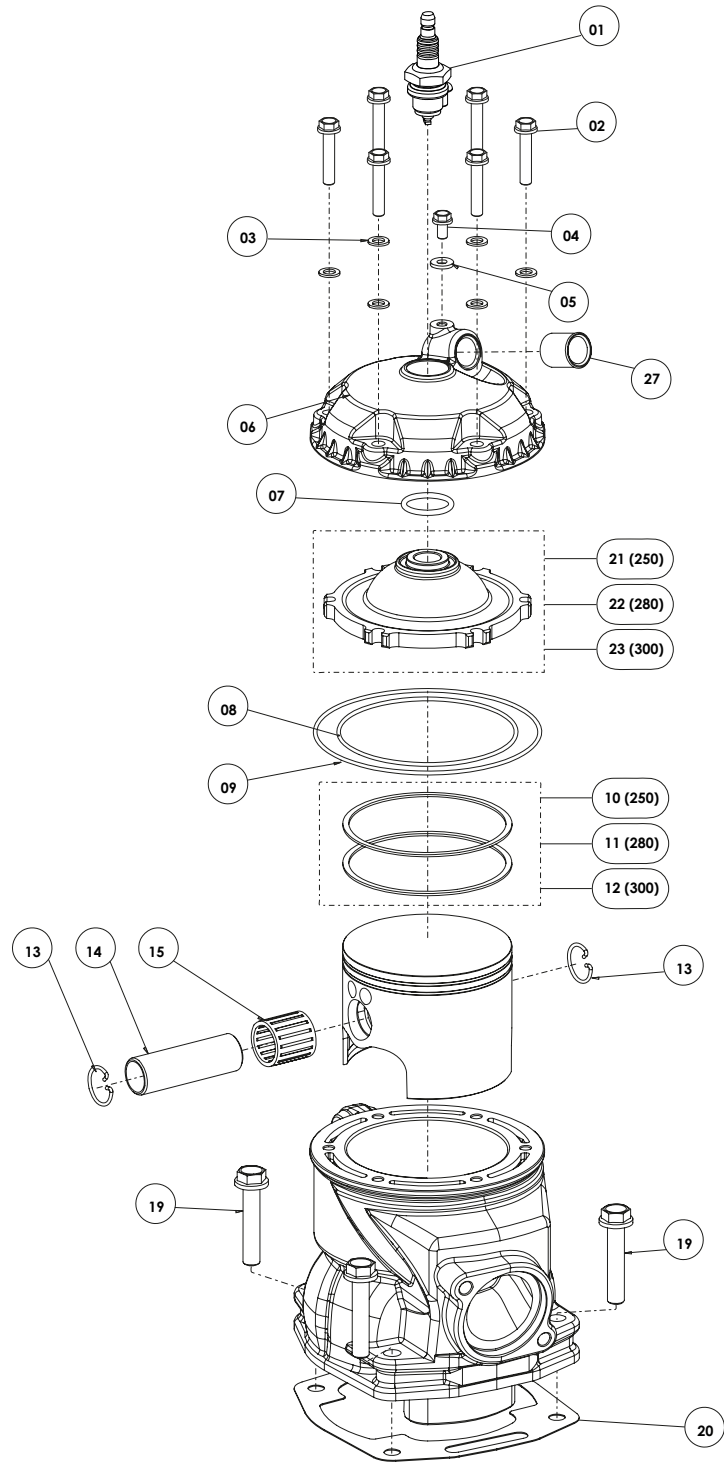


D

C

B

A



Despiece TRRS XTRACK RR electric start 2019

.07 - CP - Cilindro y Pistón - Listado de Piezas

| Nº | Código | Descripción | Description | Cantidad |
|-----|-------------------|--|--|----------|
| 1 | 70205 | Bujía NGK BPMRGA - (véase (06) en la lámina 09-IE-Instalación Eléctrica) | Spark plug NGK BPMRGA - (see item (06) in drawing 09-IE - Electrical system) | 1 |
| 2 | 50911 | Tornillo DIN 6921 M6X25 Culata | Bolt, DIN 6921 M6x25 Cylinder head | 6 |
| 3 | 56105 | Arandela Tornillo Culata 6x12x1.5 Copper | Copper washer, cylinder head bolt 6x12x1.5 | 6 |
| 4 | 50912 | Tornillo Din 6921 M5X8 Sangrador Culata | Bolt, DIN 6921 M5x8 Cylinder head bleeder | 1 |
| 5 | 56103 | Arandela Tornillo Sangrador Culata Tubo 5x9x1 Copper | Copper washer, cylinder head bleeder 5x9x1 | 1 |
| 6 | 07001MT101 | Tapa Culata | Cylinder head top cap | 1 |
| 7 | 53012 | Tórica Culatín Vitón 20x2,5 | O-ring, Viton 20x2.5 | 1 |
| 8 | 53013 | Tórica Culata Interior Vitón 81,2x1,78 | O-ring, Viton 81,2x1.78 | 1 |
| 9 | 53014 | Tórica Culata Exterior Vitón 101,6x1,78 | O-ring, Viton 101,6x1.78 | 1 |
| 10 | 70460 | Juego Segmentos 250 | Piston ring set, 250 | 1 |
| 11 | 70461 | Juego Segmentos 280 | Piston ring set, 280 | 1 |
| 12 | 70462 | Juego Segmentos 300 | Piston ring set, 300 | 1 |
| 13 | 55005 | Circlip Bulón | Clip, piston pin | 2 |
| 14 | 70463 | Bulón Piston | Piston pin | 1 |
| 15 | 52508 | Cojinete de agujas superior biela | Top rod cage bearing | 1 |
| 16A | 70465 | Conjunto Pistón A (250) | Piston, size A complete (250) | 1 |
| 16B | 70466 | Conjunto Pistón B (250) | Piston, size B complete (250) | 1 |
| 16C | 70467 | Conjunto Pistón C (250) | Piston, size C complete (250) | 1 |
| 17A | 70477 | Conjunto Pistón A (280) | Piston, size A complete (280) | 1 |
| 17B | 70478 | Conjunto Pistón B (280) | Piston, size B complete (280) | 1 |
| 17C | 70479 | Conjunto Pistón C (280) | Piston, size C complete (280) | 1 |
| 18A | 70480 | Conjunto Pistón A (300) | Piston, size A complete (300) | 1 |
| 18B | 70481 | Conjunto Pistón B (300) | Piston, size B complete (300) | 1 |
| 18C | 70482 | Conjunto Pistón C (300) | Piston, size C complete (300) | 1 |
| 19 | 50901 | Tornillo DIN 6921 M8X1,25X40 | Bolt, DIN 6921 M8x1.25x40 | 4 |
| 20 | 07002MT100 | Junta Cilindro 0,5 | Cylinder base gasket 0.5 | 1 |
| 21 | 07003MT100 | Culatín Interno (250) | Interior cylinder head (250) | 1 |
| 22 | 07004MT100 | Culatín Interno (280) | Interior cylinder head (280) | 1 |
| 23 | 07005MT100 | Culatín Interno (300) | Interior cylinder head (300) | 1 |



Despiece TRRS XTRACK RR electric start 2019

.07 - CP - Cilindro y Pistón - Listado de Piezas

| Nº | Código | Descripción | Description | Cantidad |
|----|-------------------|----------------------------------|---|----------|
| 24 | 07006MT100 | Conjunto Cilindro Y Pistón (250) | <i>Complete cylinder and piston (250)</i> | 1 |
| 25 | 07007MT100 | Conjunto Cilindro Y Pistón (280) | <i>Complete cylinder and piston (280)</i> | 1 |
| 26 | 07008MT100 | Conjunto Cilindro Y Pistón (300) | <i>Complete cylinder and piston (300)</i> | 1 |
| 27 | 02006MT100 | Casquillo Manguito Agua | <i>Bushing, water rubber hose</i> | 1 |

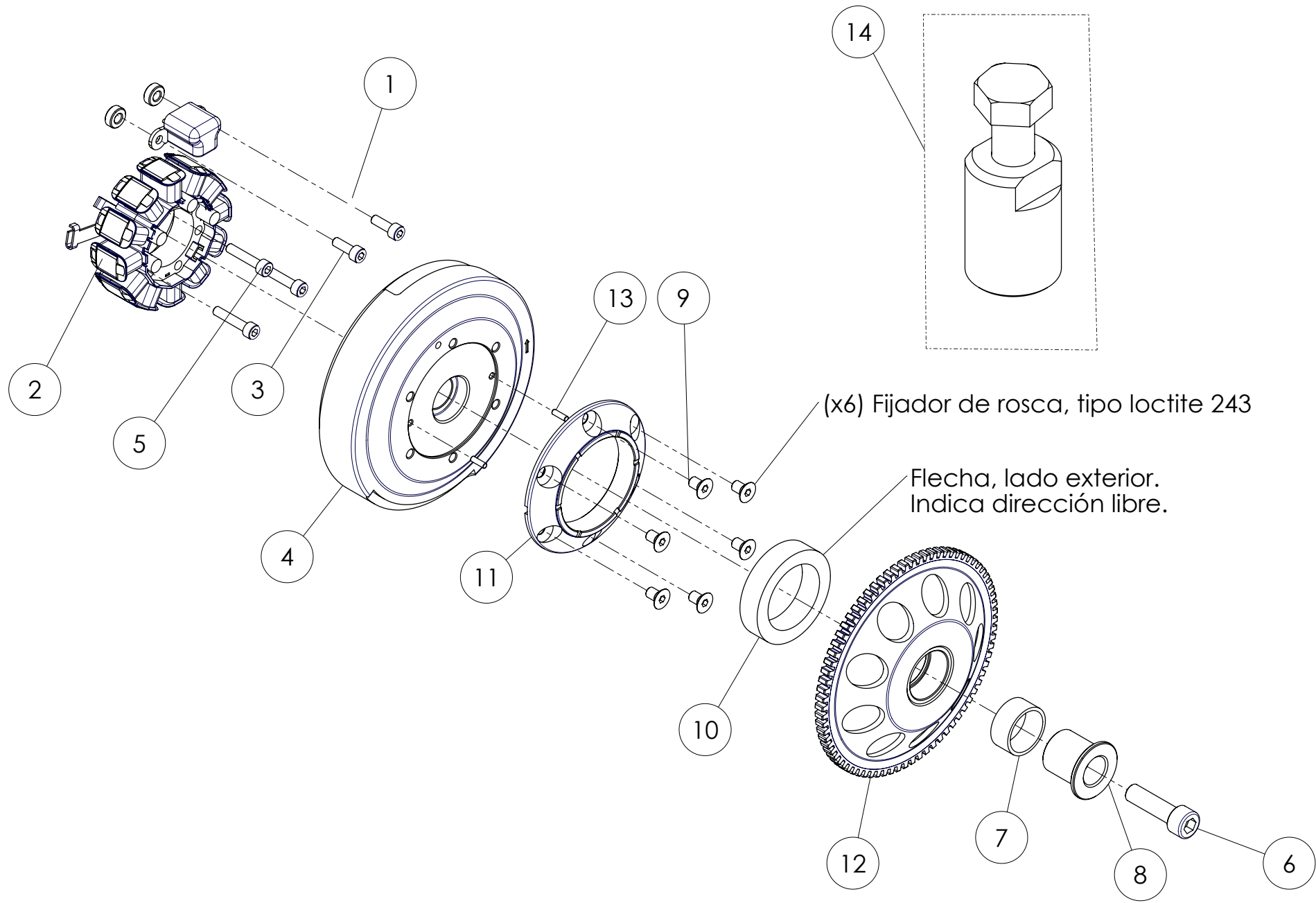


D

C

B

A



(x6) Fijador de rosca, tipo loctite 243

Flecha, lado exterior.
Indica dirección libre.



Despiece TRRS XTRACK RR electric start 2019

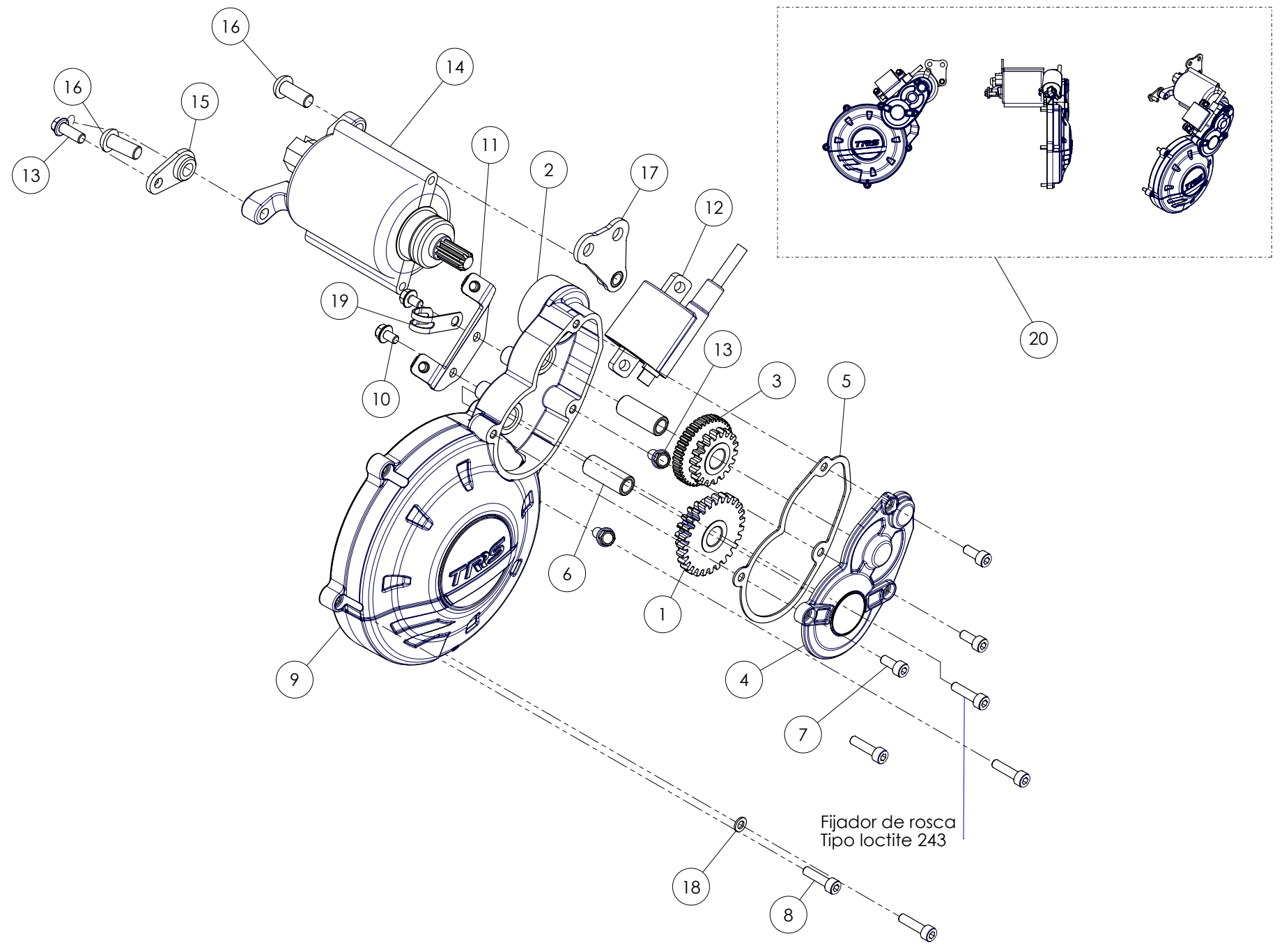
.08 - CE - Encendido - Listado de Piezas

| Nº | Código | Descripción | Description | Cantidad |
|----|-------------------|--------------------------------------|---|----------|
| 1 | 10010MT100 | Casquillo distanciador pick-up | <i>Spacer bushing pick-up</i> | 2 |
| 2 | 70225 | ESTATOR + PICK-UP | <i>Stator and pickup</i> | 1 |
| 3 | 50111 | Tornillo allen M5x15 | <i>Bolt, allen M5x15</i> | 2 |
| 4 | 70241 | VOLANTE MAGNETICO ARRANQUE ELECTRICO | <i>Flywheel ignition electric starter</i> | 1 |
| 5 | 50121 | Tornillo allen M5X25 | <i>Bolt, allen M5x25</i> | 3 |
| 6 | 50125 | Tornillo allen M10x35-1.25 | <i>Screw allen M10x35-1.25</i> | 1 |
| 7 | 52516 | Rodamiento agujas K25x29x13 | <i>Needle bearing K25x29x13</i> | 1 |
| 8 | 08009MT100 | Eje rodamiento arranque electrico | <i>Shaft bearing electric starter</i> | 1 |
| 9 | 50308 | Tornillo allen avellanado M6x10 | <i>Screw countersunk M6x10</i> | 6 |
| 10 | 52901 | Rodamiento rueda libre | <i>Bearing free wheel</i> | 1 |
| 11 | 10003MT100 | SOPORTE RODAMIENTO VOLANTE MAGNETICO | <i>Bearing support flywheel</i> | 1 |
| 12 | 10006MT100 | CORONA ARRANQUE ELECTRICO | <i>Hub electric starter</i> | 1 |
| 13 | 61001 | AGUJA Ø3X9.8 | <i>Needle, shift drum Ø3X9.8</i> | 2 |
| 14 | 08010MT100 | Extractor volante magnético M27 | <i>Removal tool M27, magneto flywheel</i> | 1 |



5 4 3 2 1

D
C
B
A



Despiece TRRS XTRACK RR electric start 2019
 09 - AE - Arranque Eléctrico - Explosionado
 TRRS Motorcycles

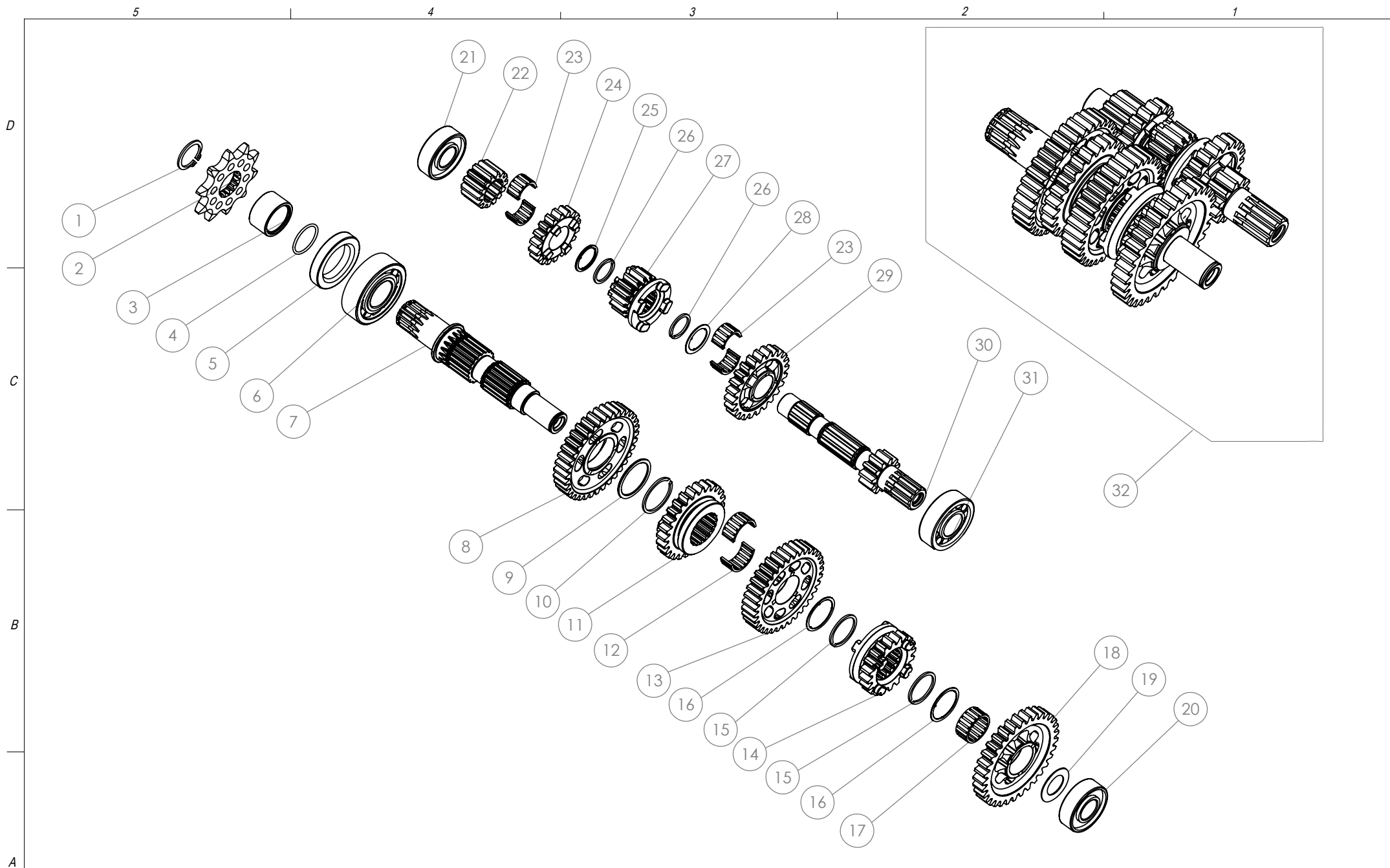


Despiece TRRS XTRACK RR electric start 2019

09 - AE - Arranque Eléctrico - Listado de Piezas

| Nº | Código | Descripción | Description | Cantidad |
|----|------------|---|--|----------|
| 1 | 10005MT100 | PIÑONES ARRANQUE ELECTRICO SECUNDARIO | Second gear set electric starter | 1 |
| 2 | 10001MT100 | TAPA ENCENDIDO ARRANQUE ELECTRICO | Cover electric starter | 1 |
| 3 | 10004MT100 | PIÑONES ARRANQUE ELECTRICO PRIMARIO | First gear set electric starter | 1 |
| 4 | 10002MT100 | TAPA REGISTRO ARRANQUE ELECTRICO | Gear cover electric starter | 1 |
| 5 | 10007MT100 | JUNTA TAPA REGISTRO | Gasket gear cover electric starter | 1 |
| 6 | 10008MT100 | EJE ENGRANAJE | Shaft gear | 2 |
| 7 | 50124 | Tornillo allen M5x12 | Screw allen M5x12 | 3 |
| 8 | 50112 | Tornillo allen M5x20 | Bolt allen M5x20 | 5 |
| 9 | 08003MT100 | JUNTA TAPA ENCENDIDO | Gasket, Ignition cover | 1 |
| 10 | 50912 | Tornillo hexagonal con valona M5X8 | Bolt, hexagonal with washer M5x8 | 2 |
| 11 | 10009MT100 | Soporte bobina arranque electrico | Support ignition coil electric starter | 1 |
| 12 | 70203 | Bobina | Coil | 1 |
| 13 | 50903 | Tornillo hexagonal con valona M6x16 | Bolt hexagonal with washer M6x16 | 3 |
| 14 | 70243 | Motor arranque | Starter engine | 1 |
| 15 | 10011MT100 | Soporte inferior motor de arranque | Lower bracket starter engine | 1 |
| 16 | 50201 | Tornillo allen alomado M8x20 | Bolt allen M8x20 | 2 |
| 17 | 10012MT100 | Soporte superior motor de arranque | Upper bracket starter engine | 1 |
| 18 | 56103 | Arandela cobre 5x9x1 | Copper washer, 5x9x1 | 1 |
| 19 | 58001 | ABRAZADERA REGULABLE REVESITDA CON VINILO Ø6x60 | Clamp 60mm | 1 |
| 20 | 10000MT100 | CONJUNTO ARRANQUE ELECTRICO | Electric starter set | 1 |





Despiece TRRS XTRACK RR electric start 2019

09 - CM - Cambio - Listado de Piezas

| Nº | Código | Descripción | Description | Cantidad |
|----|------------|--|--|----------|
| 01 | 55012 | Circlip DIN-471 Ø19 | Circlip DIN-471 Ø19 | 1 |
| 02 | 09020MT100 | Piñon salida 10Z | Sprocket 10Z | 1 |
| 03 | 09021MT100 | Casquillo piñon salida | Bushing, sprocket | 1 |
| 04 | 53017 | Junta tórica Casquillo Piñon Salida 20X1,5 | O-ring, Bushing sprocket, 20X1,5 | 1 |
| 05 | 54010 | Retén Piñon Salida Doble Labio Ø26Ø40L7 | Double Lip Seal Ø26Ø40 L7 | 1 |
| 06 | 52111 | Rodamiento de bolas 6204-C | Bearing 6204-C | 1 |
| 07 | 09019MT100 | Eje Secundario | Countershaft | 1 |
| 08 | 09004MT100 | Piñón 2ª Secundario | Gear, 2nd, secondary | 1 |
| 09 | 09005MT100 | Arandela 30x25,1x1 Piñón 2ª Secundario | Washer, 30x25,1x1 Secondary 2nd gear | 1 |
| 10 | 55009 | Circlip SW 25x1.2 | Circlip, SW 25x1.2 | 1 |
| 11 | 09006MT100 | Piñón 4ª Secundario | Gear, 4th Secondary | 1 |
| 12 | 52509 | Rodamiento Agujas Partido K18x22x10D | Needle bearing, two-piece K18x22x10D | 1 |
| 13 | 09008MT100 | Piñón 3ª Secundario | Gear, 3rd Secondary | 1 |
| 14 | 09009MT100 | Piñón 5ª Secundario | Gear, 5th Secondary | 1 |
| 15 | 55007 | Circlip SW 22x1.2 | Circlip, SW 22x1.2 | 2 |
| 16 | 09007MT100 | Arandela 26x22x0,5 Piñón 3ª Secundario Dentada | Toothed washer, 26x22x0,5, 3rd gear, Secondary | 2 |
| 17 | 52510 | Rodamiento Agujas K18x22x10 | Needle bearing, K18x22x10 | 1 |
| 18 | 09010MT100 | Piñón 1ª Secundario | Gear, 1st Secondary | 1 |
| 19 | 09024MT100 | Arandela 15,1x25,5x0,8 | Washer 15,1x25,5x0,8 | 1 |
| 20 | 52107 | Rodamiento 15,1x25,5x01 | Bearing 15,1x25,5x1 | 1 |
| 21 | 52201 | Rodamiento Primario Izquierdo 7202-B-Tvp | Bearing, Primary left 7202-B-TVP | 1 |
| 22 | 09012MT100 | Piñón 2ª Primario | Gear, 2nd Primary | 1 |
| 23 | 52511 | Rodamiento Agujas Partido K14x18x10D | Needle bearing, two-piece K14x18x10D | 2 |
| 24 | 09013MT100 | Piñón 4ª Primario | Gear, 4th Primary | 1 |
| 25 | 09014MT100 | Arandela 20x16,65x1 Primario Dentada | Toothed washer, 20x16,65x1 Primary | 1 |
| 26 | 55008 | SW 16 Circlip 16X1.2 | Circlip, SW 16 - 16x1.2 | 2 |
| 27 | 09015MT100 | Piñón 3ª Primario | Gear, 3rd Primary | 1 |
| 28 | 09016MT100 | Arandela 22,5X16,65X0,5 Dentada | Toothed washer, 22.5x16.65x0.5 | 1 |
| 29 | 09017MT100 | Piñón 5ª Primario | Gear, 5th Primary | 1 |



Despiece TRRS XTRACK RR electric start 2019

09 - CM - Cambio - Listado de Piezas

| Nº | Código | Descripción | Description | Cantidad |
|----|-------------------|--|--|----------|
| 30 | 09018MT100 | Eje Primario | <i>Primary shaft</i> | 1 |
| 31 | 52301 | Rodamiento Primario Derecho Nj203-E-Tvp2 | <i>Bearing, Primary right NJ203-E-TVP2</i> | 1 |
| 32 | 09025MT100 | Conjunto Piñones y Ejes Cambio | <i>Kit, Gears and Shafts (Gearbox)</i> | 1 |

